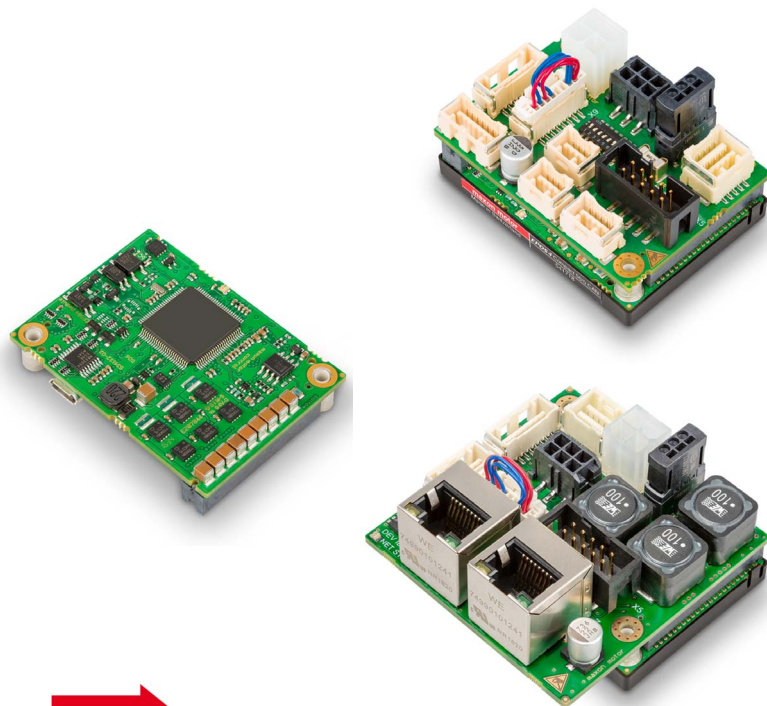


# EPOS4 Module 50/5 EPOS4 Compact 50/5

Hardware Reference



**CANopen**

**EtherCAT**



epos.maxongroup.com

## TABLE OF CONTENTS

<b>1</b>	<b>ABOUT</b>	<b>5</b>
1.1	About this Document. . . . .	5
1.2	About the Devices. . . . .	8
1.3	About the Safety Precautions . . . . .	10
<b>2</b>	<b>SPECIFICATIONS</b>	<b>11</b>
2.1	Technical Data . . . . .	11
2.2	Thermal Data . . . . .	14
2.3	Limitations. . . . .	15
2.4	Dimensional Drawings . . . . .	16
2.5	Standards . . . . .	19
<b>3</b>	<b>SETUP</b>	<b>21</b>
3.1	Generally applicable Rules . . . . .	21
3.2	Pin Assignment for Module Version . . . . .	22
3.3	Pin Assignment for Connector Boards & Compact Versions . . . . .	25
3.3.1	EPOS4 CB 50/5 CAN (534133) / EPOS4 Compact 50/5 CAN (541718) . . . . .	25
3.3.2	EPOS4 CB 50/5 EtherCAT (620044) / EPOS4 Compact 50/5 EtherCAT (628094) . . . . .	25
3.3.3	Cabling . . . . .	26
3.3.4	Tools . . . . .	27
3.3.5	Connections . . . . .	28
3.3.5.1	Power & Logic Supply (X1/X2) . . . . .	29
3.3.5.2	Motor (X3). . . . .	30
3.3.5.3	Hall Sensor (X4). . . . .	31
3.3.5.4	Encoder (X5) . . . . .	32
3.3.5.5	Sensor (X6) . . . . .	33
3.3.5.6	Digital I/O (X7) . . . . .	34
3.3.5.7	Analog I/O (X8). . . . .	35

### READ THIS FIRST

***These instructions are intended for qualified technical personnel. Prior commencing with any activities...***

- you must carefully read and understand this manual and
- you must follow the instructions given therein.

***EPOS4 Module 50/5 and EPOS4 Compact 50/5 positioning controllers are considered as partly completed machinery according to EU Directive 2006/42/EC, Article 2, Clause (g) and are intended to be incorporated into or assembled with other machinery or other partly completed machinery or equipment.***

***Therefore, you must not put the device into service,...***

- unless you have made completely sure that the other machinery fully complies with the EU directive's requirements!
- unless the other machinery fulfills all relevant health and safety aspects!
- unless all respective interfaces have been established and fulfill the herein stated requirements!

3.3.5.8	STO (X9)	36
3.3.5.9	RS232 (X10)	37
3.3.5.10	CAN 1 (X11) & CAN 2 (X12)	38
3.3.5.11	EtherCAT IN (X14) & EtherCAT OUT (X15)	39
3.3.6	DIP Switch Configuration (SW1)	41
3.3.6.1	CAN ID (Node-ID) / DEV ID	41
3.3.6.2	CAN automatic Bit Rate Detection (Compact CAN)	43
3.3.6.3	CAN Bus Termination (Compact CAN)	43
3.3.6.4	Digital Input Level	43
3.3.7	Spare Parts	43
<b>3.4</b>	<b>Connection Specifications</b>	<b>44</b>
3.4.1	Power Supply	44
3.4.2	Logic Supply	45
3.4.3	Motor	46
3.4.4	Hall Sensor	47
3.4.5	Encoder	48
3.4.6	Sensor	51
3.4.6.1	Incremental Encoder	51
3.4.6.2	SSI Absolute Encoder	57
3.4.6.3	High-speed Digital I/Os	59
3.4.7	Digital I/Os	62
3.4.7.1	Module	62
3.4.7.2	Compact	63
3.4.8	Safe Torque Off I/Os	66
3.4.9	Analog I/Os	68
3.4.10	Serial Communication Interface (SCI) / RS232	70
3.4.10.1	Module	70
3.4.10.2	Compact CAN	71
3.4.11	CAN Interface / ID Setting	72
3.4.11.1	Connection	72
3.4.11.2	Configuration	73
3.4.12	Serial Peripheral Interface (SPI)	75
3.4.13	USB (X13)	76
<b>3.5</b>	<b>Status Indicators</b>	<b>77</b>
<b>4</b>	<b>MOTHERBOARD DESIGN GUIDE</b>	<b>79</b>
4.1	Requirements for Components of Third-party Suppliers	80
4.1.1	Socket Headers	80
4.1.2	Supply Voltage	80
4.1.3	Logic Supply Voltage	81
4.1.4	Motor Cables and Motor Chokes	82
4.1.5	RS232 Transceiver	83
4.1.6	Recommended Components and Manufacturers	84

4.2	Design Guidelines . . . . .	85
4.2.1	Ground . . . . .	85
4.2.2	Layout . . . . .	85
4.3	SMT Footprint . . . . .	86
<b>5</b>	<b>WIRING</b>	<b>87</b>
5.1	Possible Combinations to connect a Motor . . . . .	88
5.2	Main Wiring Diagrams . . . . .	90
5.3	Excerpts . . . . .	92

# 1 ABOUT

## 1.1 About this Document

### 1.1.1 Intended Purpose

Use the document to...  
**–stay safe,**  
**–be fast,**  
**–end up with set up and ready-to-go equipment.**

The purpose of the present document is to familiarize you with the EPOS4 Module 50/5 and EPOS4 Compact 50/5 positioning controllers. It will highlight the tasks for safe and adequate installation and/or commissioning. Follow the described instructions ...

- to avoid dangerous situations,
- to keep installation and/or commissioning time at a minimum,
- to increase reliability and service life of the described equipment.

The present document is part of a documentation set and contains performance data and specifications, information on fulfilled standards, details on connections and pin assignment, and wiring examples. The below overview shows the documentation hierarchy and the interrelationship of its individual parts:

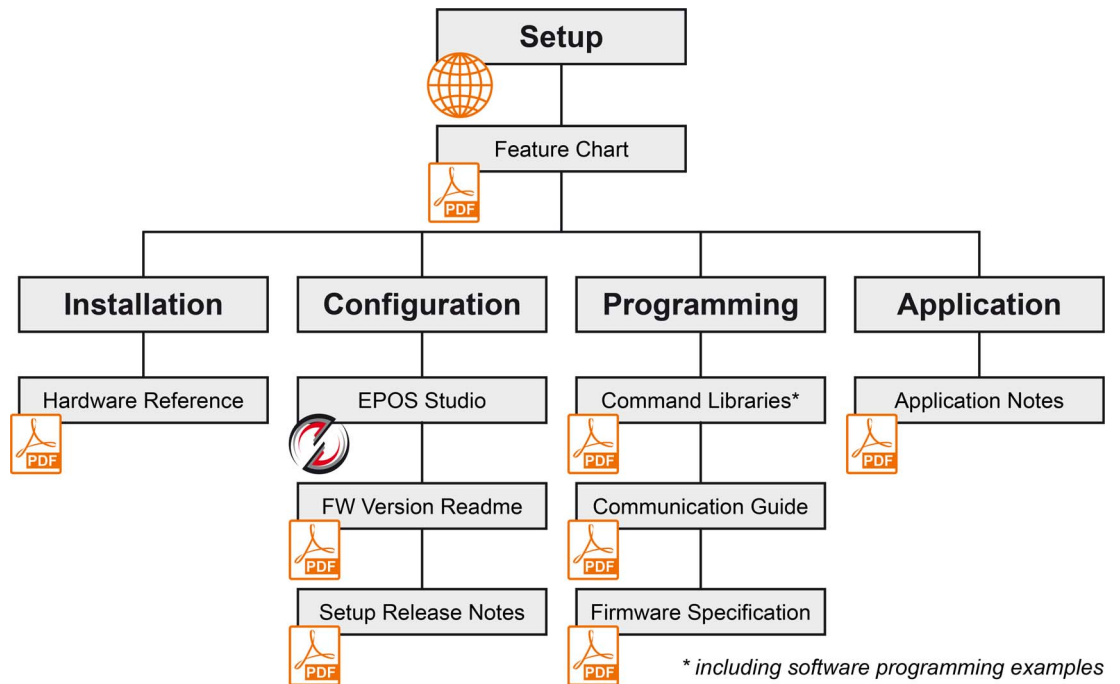


Figure 1-1 Documentation structure

### 1.1.2 Target Audience

The present document is intended for trained and skilled personnel. It conveys information on how to understand and fulfill the respective work and duties.

### 1.1.3 How to use

If not stated otherwise, the described details are valid for both the plug-in module and the stand-alone compact version (→ chapter “1.2 About the Devices” on page 1-8).

Throughout the document, the following notations and codes will be used.

Notation	Meaning
(n)	refers to an item (such as part numbers, list items, etc.)
→	denotes “see”, “see also”, “take note of” or “go to”

Table 1-1 Notation used

### 1.1.4 Symbols & Signs

In the course of the present document, the following symbols and signs will be used.







Type	Symbol	Meaning	
Safety alert	 (typical)	DANGER	Indicates an <b>imminent hazardous situation</b> . If not avoided, it <b>will result in death or serious injury</b> .
		WARNING	Indicates a <b>potential hazardous situation</b> . If not avoided, it <b>can result in death or serious injury</b> .
		CAUTION	Indicates a <b>probable hazardous situation</b> or calls the attention to unsafe practices. If not avoided, it <b>may result in injury</b> .
Prohibited action	 (typical)	Indicates a dangerous action. Hence, <b>you must not!</b>	
Mandatory action	 (typical)	Indicates a mandatory action. Hence, <b>you must!</b>	
Information		Requirement / Note / Remark	Indicates an activity you must perform prior continuing, or gives information on a particular item you need to observe.
		Best practice	Indicates an advice or recommendation on the easiest and best way to further proceed.
		Material Damage	Indicates information particular to possible damage of the equipment.

Table 1-2 Symbols and signs

### 1.1.5 Trademarks and Brand Names

For easier legibility, registered brand names are listed below and will not be further tagged with their respective trademark. It must be understood that the brands (the list below is not necessarily concluding) are protected by copyright and/or other intellectual property rights even if their legal trademarks are omitted in the later course of this document.

Brand Name	Trademark Owner
Adobe® Reader®	© Adobe Systems Incorporated, USA-San Jose, CA
BISS	© iC-Haus GmbH, DE-Bodenheim
CANopen® CiA®	© CiA CAN in Automation e.V, DE-Nuremberg
CLIK-Mate™ Micro-Fit™ Mini-Fit Jr.™ Mega-Fit®	© Molex, USA-Lisle, IL
EnDat	© DR. JOHANNES HEIDENHAIN GmbH, DE-Traunreut
EtherCAT®	© EtherCAT Technology Group, DE-Nuremberg, licensed by Beckhoff Automation GmbH, DE-Verl
har-flexicon®	© HARTING AG & Co. KG, DE-Espelkamp
Linux®	© Linus Torvalds (The Linux Foundation, USA-San Francisco CA)
Littelfuse® SMD NANO2®	© Littelfuse Inc., USA-Chicago, IL
Windows®	© Microsoft Corporation, USA-Redmond, WA

Table 1-3 Brand names and trademark owners

### 1.1.6 Copyright

This document is protected by copyright. Any further use (including reproduction, translation, microfilming, and other means of electronic data processing) without prior written approval is not permitted. The mentioned trademarks belong to their respective owners and are protected under intellectual property rights. © 2020 maxon. All rights reserved. Subject to change without prior notice.

CCMC | EPOS4 Module/Compact 50/5 Hardware Reference | Edition 2020-04 | DocID rel9443

maxon motor ag  
Brünigstrasse 220 +41 41 666 15 00  
CH-6072 Sachseln www.maxongroup.com

## 1.2 About the Devices

*Capabilities of the device, included features, and supported motors.*

maxon's EPOS4 Module 50/5 and EPOS4 Compact 50/5 are small-sized, full digital, smart positioning control units. Their high power density allow flexible use for brushed DC and brushless EC (BLDC) motors up to approximately 250 Watts with various feedback options, such as Hall sensors, incremental encoders as well as absolute sensors in a multitude of drive applications.

The devices are specially designed to be commanded and controlled as a slave node in a CANopen or EtherCAT network. In addition, the units can be operated via any USB or RS232 communication port of a Windows or Linux workstation (the Module thereby requires an external transceiver). Moreover, the integrated extension interface of the Module allows pooling with optionally available communication interfaces or other additional functionalities.

Latest technology, such as field-oriented control (FOC), acceleration/velocity feed forward, or dual loop, in combination with highest control cycle rates allow sophisticated, ease-of-use motion control.

Thanks to its smart design, the EPOS4 Module 50/5 can either be used in combination with EPOS4 CB 50/5 connector boards as a compact, integrated solution or be incorporated into customer-specific motherboards for single axis or multi axes motion control systems. The controller is available in the following configurations:

- **EPOS4 Module 50/5 (534130)**  
Plug-in module for use with maxon EPOS4 connector boards or customer-specific motherboards
- **EPOS4 CB 50/5 CAN (534133)**  
Connector board for initial commissioning or combination to a compact solution providing all connectors, including CANopen interface
- **EPOS4 CB 50/5 EtherCAT (620044)**  
Connector board for initial commissioning or combination to a compact solution providing all connectors, including EtherCAT interface
- **EPOS4 Compact 50/5 CAN (541718)**  
Fully integrated, compact, ready-to-use assembly of plug-in module and CANopen connector board
- **EPOS4 Compact 50/5 EtherCAT (628094)**  
Fully integrated, compact, ready-to-use assembly of plug-in module and EtherCAT connector board

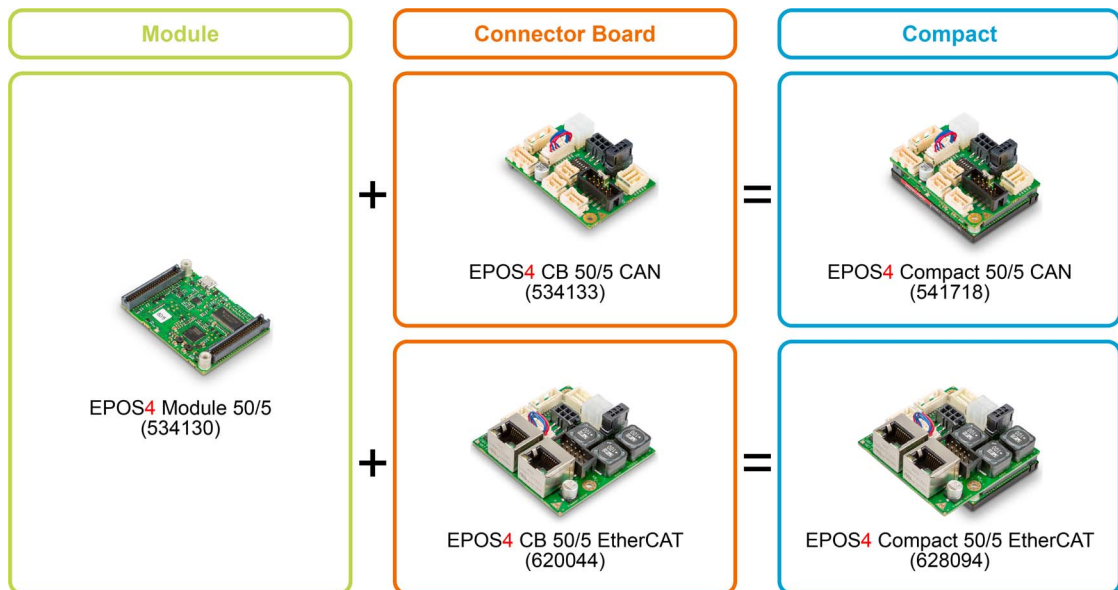


Figure 1-2 Configuration overview



For easier legibility, in the later course of this document naming of components will be as follows:

Short form	Meaning
CB	a connector board (EPOS4 CB 50/5 CAN, EPOS4 CB 50/5 EtherCAT)
Compact	any type of Compact 50/5 version
Compact CAN	EPOS4 Compact 50/5 CAN
Compact EtherCAT	EPOS4 Compact 50/5 EtherCAT
EPOS4	all controller versions (Module and Compact) as well as other EPOS4 positioning controllers as a whole
Module	EPOS4 Module 50/5

Table 1-4 Abbreviations



Find the latest edition of the present document as well as additional documentation and software for EPOS4 positioning controllers also on the Internet: →<http://epos.maxongroup.com>.

In addition, you may wish to browse the EPOS video library. It features video tutorials that provide easy to follow instructions on how to get started with «EPOS Studio» and shows you tips and tricks on how to setup communication interfaces, and so on. Explore on Vimeo: →<https://vimeo.com/album/4646388>

### 1.3 About the Safety Precautions

*Keep in mind:  
Safety first!  
Always!*

- Make sure that you have read and understood the note “READ THIS FIRST” on page A-2!
- Do not engage with any work unless you possess the stated skills (→ chapter “1.1.2 Target Audience” on page 1-5)!
- Refer to → chapter “1.1.4 Symbols & Signs” on page 1-6 to understand the subsequently used indicators!
- You must observe any regulation applicable in the country and/or at the site of implementation with regard to health and safety/accident prevention and/or environmental protection!



#### **DANGER**

##### **High voltage and/or electrical shock**

##### **Touching live wires causes death or serious injuries!**

- *Consider any power cable as connected to live power, unless having proven the opposite!*
- *Make sure that neither end of cable is connected to live power!*
- *Make sure that power source cannot be engaged while work is in process!*
- *Obey lock-out/tag-out procedures!*
- *Make sure to securely lock any power engaging equipment against unintentional engagement and tag it with your name!*



#### **Requirements**

- *Make sure that all associated devices and components are installed according to local regulations.*
- *Be aware that, by principle, an electronic apparatus can not be considered fail-safe. Therefore, you must make sure that any machine/apparatus has been fitted with independent monitoring and safety equipment. If the machine/apparatus should break down, if it is operated incorrectly, if the control unit breaks down or if the cables break or get disconnected, etc., the complete drive system must return – and be kept – in a safe operating mode.*
- *Be aware that you are not entitled to perform any repair on components supplied by maxon.*



#### **Electrostatic sensitive device (ESD)**

- *Wear working cloth and use equipment in compliance with ESD protective measures.*
- *Handle device with extra care.*

## 2 SPECIFICATIONS

### 2.1 Technical Data

EPOS4 Module 50/5 (534130) EPOS4 Compact 50/5 CAN (541718) EPOS4 Compact 50/5 EtherCAT (628094)			
Electrical Rating	Nominal power supply voltage +V <sub>CC</sub>	10...50 VDC	
	Nominal logic supply voltage +V <sub>C</sub>	Module	10...50 VDC
		Compact	10...50 VDC, optional
	Absolute supply voltage +V <sub>min</sub> / +V <sub>max</sub>	8 VDC / 56 VDC	
	Output voltage (max.)	0.9 x +V <sub>CC</sub>	
	Output current I <sub>cont</sub> / I <sub>max</sub> (<3 s)	5 A / 15 A	
	Pulse Width Modulation frequency	50 kHz	
	Sampling rate PI current controller	25 kHz (40 μs)	
	Sampling rate PI speed controller	2.5 kHz (400 μs)	
	Sampling rate PID positioning controller	2.5 kHz (400 μs)	
	Sampling rate analog input	2.5 kHz (400 μs)	
	Max. efficiency	97% (→Figure 2-4)	
	Max. speed DC motor	limited by max. permissible speed (motor) and max. output voltage (controller)	
	Max. speed EC motor (block)	100'000 rpm (1 pole pair)	
	Max. speed EC motor (sinusoidal)	50'000 rpm (1 pole pair)	
Built-in motor choke	Module	—	
	Compact CAN	3 x 9.4 μH; 5 A	
	Compact EtherCAT	3 x 10 μH; 5 A	
Inputs & Outputs	Digital Input 1 (general purpose) Digital Input 2 (general purpose) Digital Input 3 (general purpose) Digital Input 4 (general purpose)	Module	+2.1...+36 VDC
		Compact	DIP switch-selectable levels: • Logic: +2.0...+30 VDC • PLC: +9.0...+30 VDC
	Digital Output 1 (general purpose) Digital Output 2 (general purpose)	max. 36 VDC / I <sub>L</sub> ≤500 mA (open collector with internal pull-up)	
	STO Input 1 STO Input 2	+4.5...+30 VDC (optically isolated)	
	STO Output	max. 30 VDC / I <sub>L</sub> ≤15 mA (optically isolated with self-resetting short-circuit protection)	
Analog Input 1 Analog Input 2	Resolution 12-bit, -10...+10 V, 10 kHz, differential		

Continued on next page.

EPOS4 Module 50/5 (534130) EPOS4 Compact 50/5 CAN (541718) EPOS4 Compact 50/5 EtherCAT (628094)				
<b>Inputs &amp; Outputs (continued)</b>	Analog Output 1 Analog Output 2	Resolution 12-bit, -4...+4 V, 25 kHz, referenced to GND		
	Digital Hall sensor signals H1, H2, H3	+2.0...+24 VDC (internal pull-up)		
	Digital incremental encoder signals A, A\, B, B\, I, I\	EIA RS422, max. 6.25 MHz		
	Sensor signals (choice between multiple functions) <ul style="list-style-type: none"> <li>Digital incremental encoder</li> <li>Analog incremental encoder SinCos</li> <li>SSI absolute encoder</li> <li>High-speed digital input 1...4</li> <li>High-speed digital output 1</li> </ul>	3-channel, EIA RS422, max. 6.25 MHz 3-channel, resolution 12-bit, ±1.8 V, differential  configurable, EIA RS422, 0.4...2 MHz EIA RS422, max. 6.25 MHz EIA RS422, max. 6.25 MHz		
<b>Voltage Outputs</b>	Sensor supply voltage $V_{\text{Sensor}}$	+5 VDC / $I_L \leq 100$ mA		
	Auxiliary output voltage $V_{\text{Aux}}$	+5 VDC / $I_L \leq 150$ mA		
<b>Motor Connections</b>	DC motor	+ Motor, - Motor		
	EC motor	Motor winding 1, Motor winding 2, Motor winding 3		
<b>Interfaces</b>		<b>Module</b>	<b>Compact CAN</b>	<b>Compact EtherCAT</b>
	USB 2.0 / USB 3.0	Full Speed	Full Speed	Full Speed
	RS232	max. 115'200 bit/s; external transceiver necessary	max. 115'200 bit/s	—
	CAN	max. 1 Mbit/s	max. 1 Mbit/s	—
	EtherCAT	Full duplex (100 Mbit/s) as to IEE 802.3 100 Base Tx; optional «EPOS4 EtherCAT Card» required	—	Full duplex (100 Mbit/s) as to IEE 802.3 100 Base Tx
<b>Status Indicators</b>		<b>Module</b>	<b>Compact CAN</b>	<b>Compact EtherCAT</b>
	Device status	Operation (green) Error (red)	Operation (green) Error (red)	Operation (green) Error (red)
	NET status	—	—	RUN state (green) Error (red)
	NET port	—	—	Link activity (green)

Continued on next page.

EPOS4 Module 50/5 (534130) EPOS4 Compact 50/5 CAN (541718) EPOS4 Compact 50/5 EtherCAT (628094)					
		Module	Compact CAN	Compact EtherCAT	
Physical	Weight	approx. 17 g	approx. 58 g	approx. 76 g	
	Dimensions (L x W x H)	53.8 x 38.8 x 11.1 mm	55.0 x 40.0 x 31.1 mm	56.5 x 55.0 x 31.7 mm	
	Mounting	pluggable female box headers 1.27 mm or mounting holes for M2.5 screws	mounting holes for M2.5 screws <sup>(3)</sup>	mounting holes for M2.5 screws <sup>(3)</sup>	
Environment	Temperature	Operation	Module	-30...+45 °C	
			Compact	-30...+25 °C	
		Extended range <sup>(1)</sup>	Module	+45...+75 °C Derating -0.167 A/°C (→Figure 2-3)	
			Compact	+25...+70 °C Derating -0.111 A/°C (→Figure 2-3)	
	Storage	-40...+85 °C			
	Altitude <sup>(2)</sup>	Operation	0...6'000 m MSL		
		Extended range <sup>(1)</sup>	6'000...10'000 m MSL Derating →Figure 2-3		
Humidity	5...90% (condensation not permitted)				

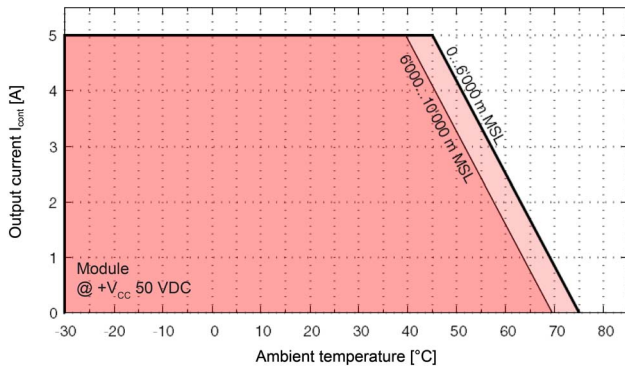
- (1) Operation within the extended range (temperature and altitude) is permitted. However, a respective derating (declination of output current  $I_{cont}$ ) as to the stated values will apply.
- (2) Operating altitude in meters above Mean Sea Level, MSL.
- (3) Max. tightening torque 0.16 Nm.

Table 2-5 Technical data

## 2.2 Thermal Data

### 2.2.1 Derating of Output Current

**Module**



**Compact**

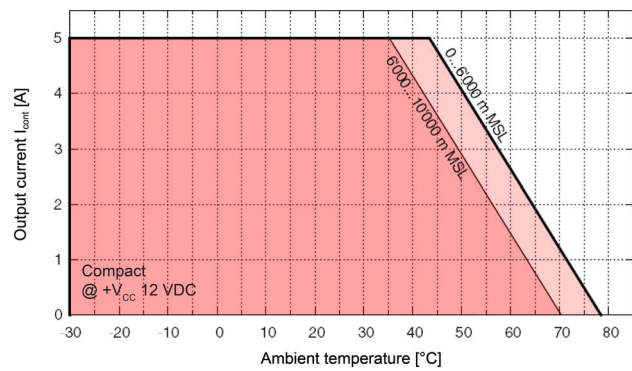
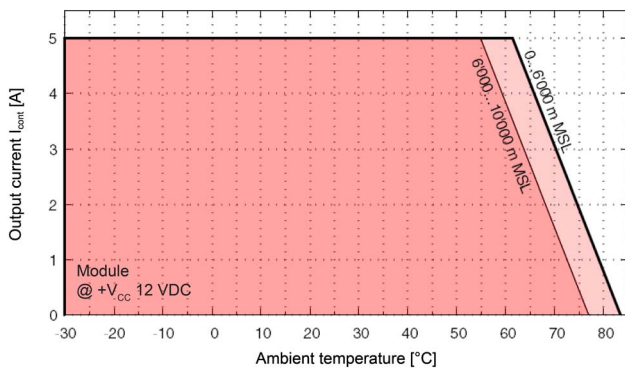
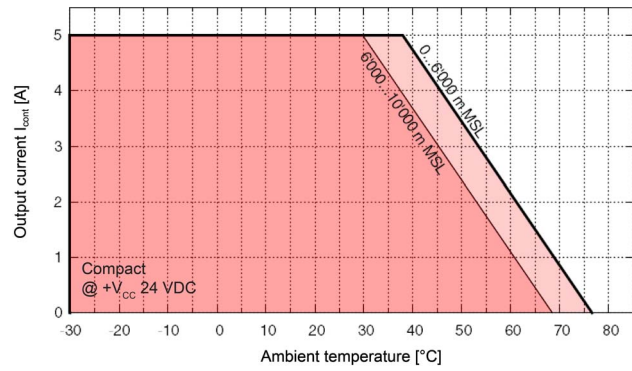
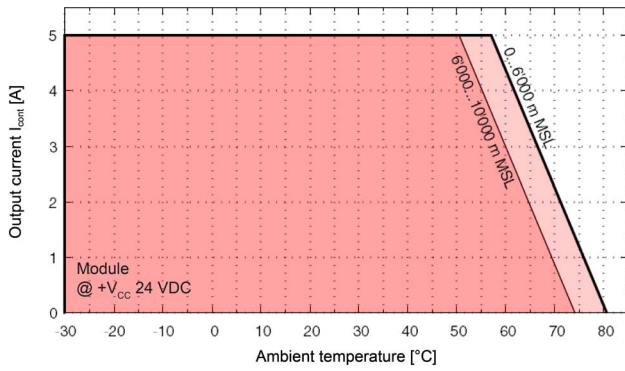
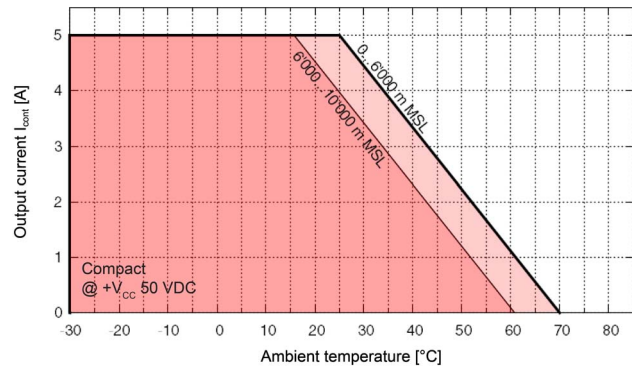


Figure 2-3 Derating of output current

2.2.2 Power Dissipation and Efficiency

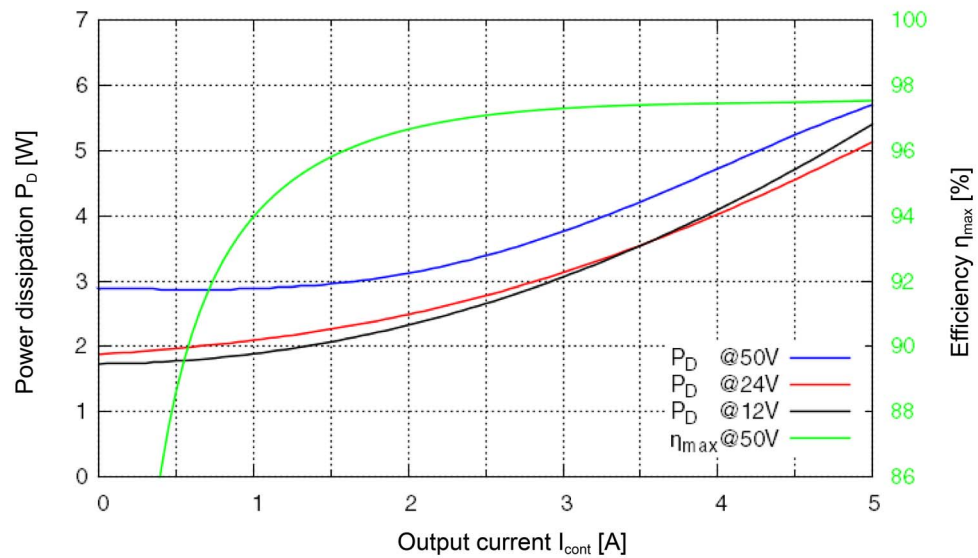


Figure 2-4 Power dissipation and efficiency – EPOS4 Compact 50/5 CAN

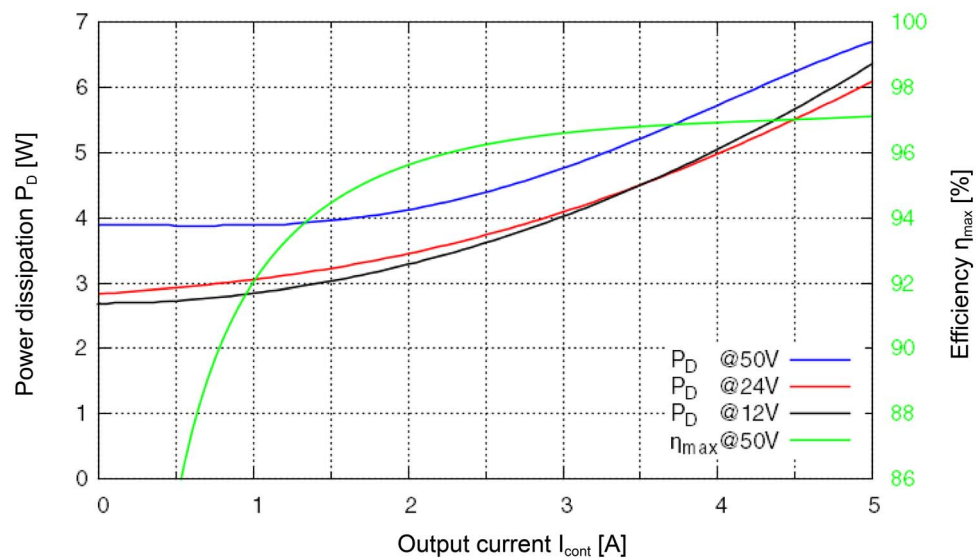


Figure 2-5 Power dissipation and efficiency – EPOS4 Compact 50/5 EtherCAT

2.3 Limitations

Protection functionality	Switch-off threshold	Recovery threshold
Undervoltage	8.0 V	8.5 V
Overvoltage	58 V	56 V
Overcurrent	20 A	—
Thermal overload	105 °C	90 °C

Table 2-6 Limitations

## 2.4 Dimensional Drawings

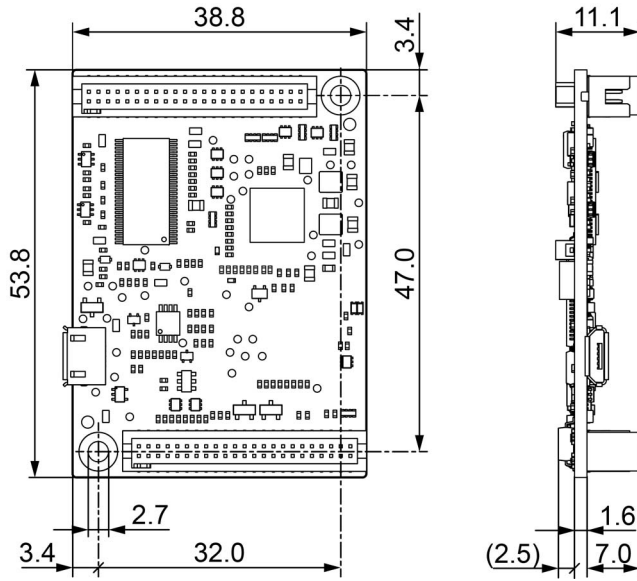


Figure 2-6 EPOS4 Module 50/5 – Dimensional drawing [mm]



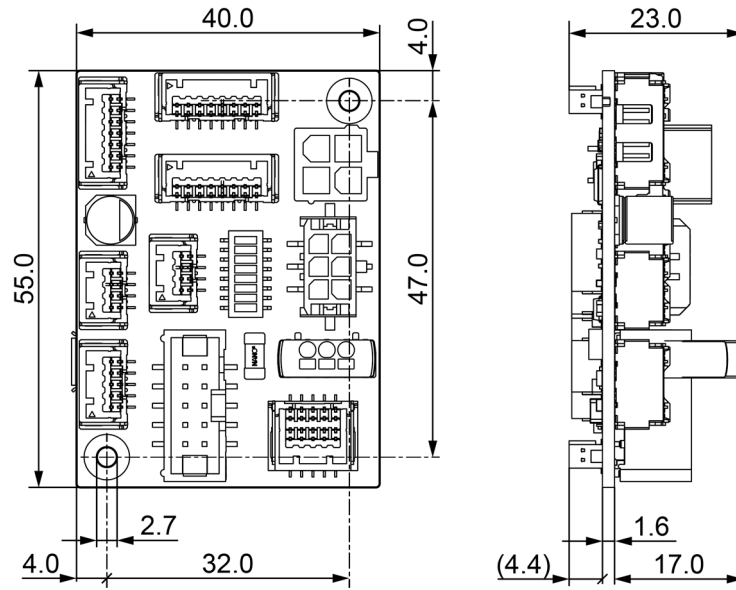


Figure 2-7 EPOS4 CB 50/5 CAN – Dimensional drawing [mm]

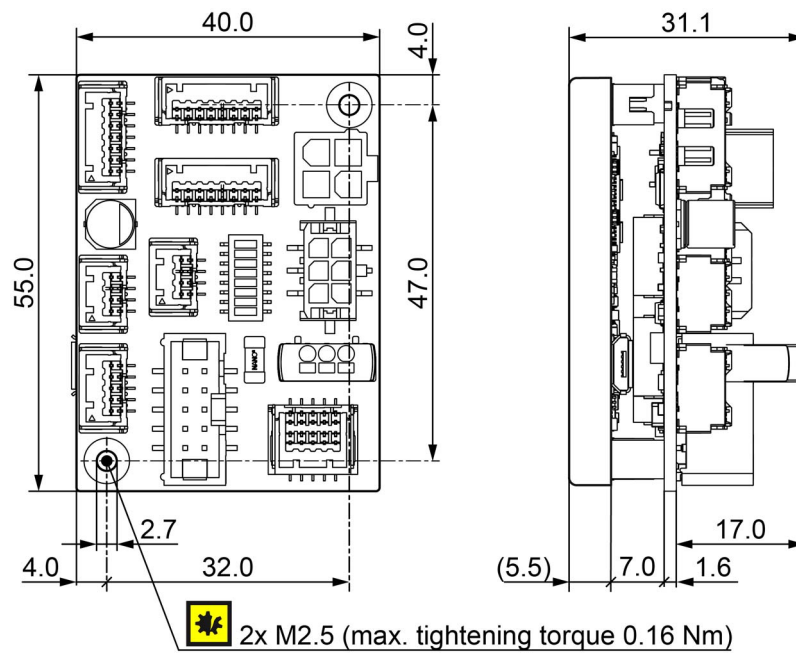


Figure 2-8 EPOS4 Compact 50/5 CAN – Dimensional drawing [mm]

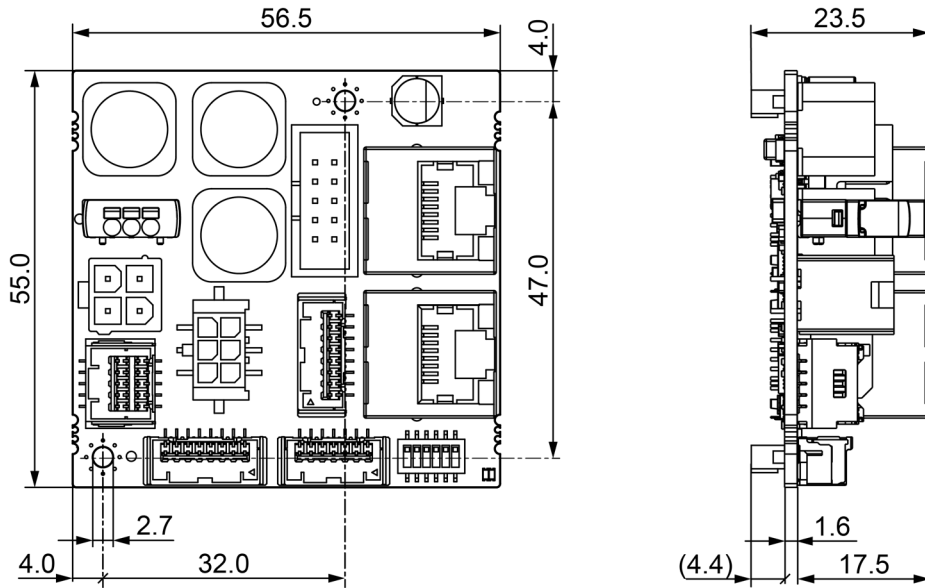


Figure 2-9 EPOS4 CB 50/5 EtherCAT – Dimensional drawing [mm]

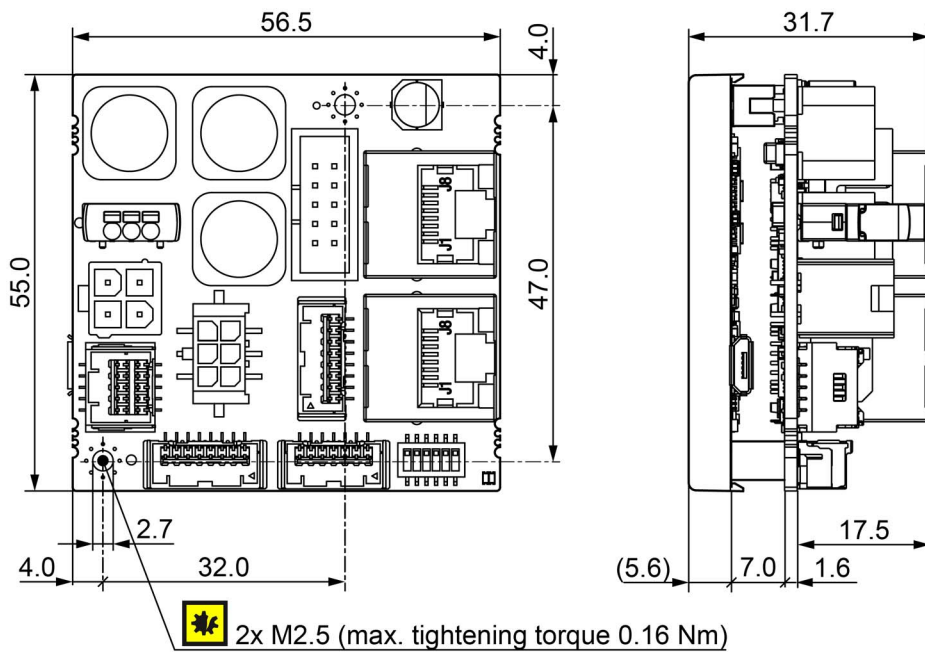


Figure 2-10 EPOS4 Compact 50/5 EtherCAT – Dimensional drawing [mm]

## 2.5 Standards

The described device has been successfully tested for compliance with the below listed standards. In practical terms, only the complete system (the fully operational equipment comprising all individual components, such as motor, servo controller, power supply unit, EMC filter, cabling etc.) can undergo an EMC test to ensure interference-free operation.



### Important Notice

*The device's compliance with the mentioned standards does not imply its compliance within the final, ready to operate setup. In order to achieve compliance of your operational system, you must perform EMC testing of the involved equipment as a whole.*

Electromagnetic Compatibility		
Generic	IEC/EN 61000-6-2	Immunity for industrial environments
	IEC/EN 61000-6-3	Emission standard for residential, commercial and light-industrial environments
Applied	IEC/EN 55022 (CISPR22)	Radio disturbance characteristics / radio interference
	IEC/EN 61000-4-3	Radiated, radio-frequency, electromagnetic field immunity test >10 V/m
	IEC/EN 61000-4-4	Electrical fast transient/burst immunity test $\pm 2$ kV
	IEC/EN 61000-4-6	Immunity to conducted disturbances, induced by radio-frequency fields 10 Vrms
Others		
Environment	IEC/EN 60068-2-6	Environmental testing – Test Fc: Vibration (sinusoidal, 10...500 Hz, 20 m/s <sup>2</sup> )
	MIL-STD-810F	Random transport (10...500 Hz up to 2.53 g <sub>rms</sub> )
Safety	UL File Number	Unassembled printed circuit board <ul style="list-style-type: none"> <li>• Module: E207844</li> <li>• Compact CAN: E207844</li> <li>• Compact EtherCAT: E207844</li> </ul>
Reliability	MIL-HDBK-217F	Reliability prediction of electronic equipment Environment: Ground, benign (GB) Ambient temperature: 298 K (25 °C) Component stress: In accordance with circuit diagram and nominal power Mean Time Between Failures (MTBF) <ul style="list-style-type: none"> <li>• Module: 314'822 hours</li> <li>• Compact CAN: 253'865 hours</li> <li>• Compact EtherCAT: 238'623 hours</li> </ul>

Table 2-7 Standards

**••page intentionally left blank••**

## 3 SETUP

### IMPORTANT NOTICE: PREREQUISITES FOR PERMISSION TO COMMENCE INSTALLATION

**EPOS4 Module 50/5 and EPOS4 Compact 50/5** positioning controllers are considered as partly completed machinery according to EU Directive 2006/42/EC, Article 2, Clause (g) and **are intended to be incorporated into or assembled with other machinery or other partly completed machinery or equipment.**



#### WARNING

##### **Risk of injury**

**Operating the device without the full compliance of the surrounding system with the EU Directive 2006/42/EC may cause serious injuries!**

- Do not operate the device, unless you have made completely sure that the other machinery fully complies with the EU directive's requirements!
- Do not operate the device, unless the other machinery fulfills all relevant health and safety aspects!
- Do not operate the device, unless all respective interfaces have been established and fulfill the requirements stated in this document!

### 3.1 Generally applicable Rules



#### **Maximal permitted supply voltage**

- Make sure that supply power is between 10...50 VDC.
- Supply voltages above 56 VDC, or wrong polarity will destroy the unit.
- Note that the necessary output current is depending on the load torque. Yet, the output current limits are as follows:
  - continuous max. 5 A
  - short-time (acceleration) max. 15 A



#### **Hot plugging the USB interface may cause hardware damage**

If the USB interface is being hot-plugged (connecting while the power supply is on), the possibly high potential differences of the two power supplies of controller and PC/Notebook can lead to damaged hardware.

- Avoid potential differences between the power supply of controller and PC/Notebook or, if possible, balance them.
- Insert the USB connector first, then switch on the power supply of the controller.

### 3.2 Pin Assignment for Module Version

For in-depth details on connections → chapter “3.4 Connection Specifications” on page 3-44.

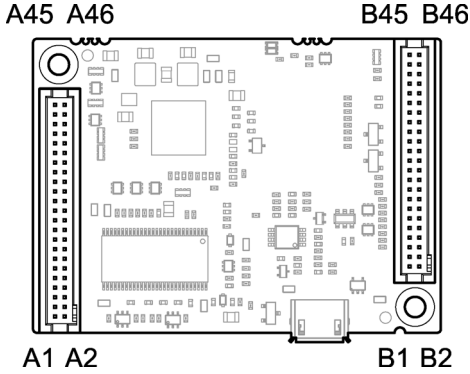


Figure 3-11 Pin assignment

Pin	Signal	Description
A1...A7**	Motor (+M)	DC motor: Motor +
	Motor winding 1	EC motor: Winding 1
A8...A14**	Motor (-M)	DC motor: Motor -
	Motor winding 2	EC motor: Winding 2
A15...A21**	Motor winding 3	EC motor: Winding 3
A22	+V <sub>C</sub>	Logic supply voltage (+10...+50 VDC)
A23...A29**	+V <sub>CC</sub>	Power supply voltage (+10...+50 VDC)
A30...A36**	GND	Ground
A37	Hall sensor 1	Hall sensor 1 input
A38	Hall sensor 2	Hall sensor 2 input
A39	Hall sensor 3	Hall sensor 3 input
A40	V <sub>Sensor</sub>	Sensor supply voltage (+5 VDC; I <sub>L</sub> ≤ 100 mA)
A41	Channel A	Digital incremental encoder channel A
A42	Channel A\	Digital incremental encoder channel A complement
A43	Channel B	Digital incremental encoder channel B
A44	Channel B\	Digital incremental encoder channel B complement
A45	Channel I	Digital incremental encoder channel I
A46	Channel I\	Digital incremental encoder channel I complement

\*\* Connect all pins in respect to the individual pin current rating.

Table 3-8 Pin assignment A1...A46 (X1...X5)

Pin	Signal	Description
B1	DigIN1	Digital input 1
B2	DigIN2	Digital input 2
B3	DigIN3	Digital input 3
B4	DigIN4	Digital input 4
B5	DigOUT1	Digital output 1
B6	DigOUT2	Digital output 2
B7	Channel A	Digital/analog incremental encoder channel A
	HsDigIN1	High-speed digital input 1
B8	Channel A\	Digital/analog incremental encoder channel A complement
	HsDigIN1\	High-speed digital input 1 complement
B9	Channel B	Digital/analog incremental encoder channel B
	HsDigIN2	High-speed digital input 2
B10	Channel B\	Digital/analog incremental encoder channel B complement
	HsDigIN2\	High-speed digital input 2 complement
B11	Channel I	Digital/analog incremental encoder channel I
	HsDigIN3	High-speed digital input 3
	Clock	Clock (SSI)
	HsDigOUT1	High-speed digital output 1
B12	Channel I\	Digital/analog incremental encoder channel I complement
	HsDigIN3\	High-speed digital input 3 complement
	Clock\	Clock (SSI) complement
	HsDigOUT1\	High-speed digital output 1 complement
B13	Data	Data (SSI)
	HsDigIN4	High-speed digital input 4
B14	Data\	Data (SSI) complement
	HsDigIN4\	High-speed digital input 4 complement
B15	V <sub>Aux</sub>	Auxiliary output voltage (+5 VDC; I <sub>L</sub> ≤150 mA)
B16	GND	Ground
B17	STO-IN1+	Safe Torque Off input 1, positive signal
B18	STO-IN1-	Safe Torque Off input 1, negative signal
B19	STO-IN2+	Safe Torque Off input 2, positive signal
B20	STO-IN2-	Safe Torque Off input 2, negative signal
B21	STO-OUT+	Safe Torque Off output, positive signal
B22	STO-OUT-	Safe Torque Off output, negative signal
B23	AnIN1+	Analog input 1, positive signal
B24	AnIN1-	Analog input 1, negative signal
B25	AnIN2+	Analog input 2, positive signal
B26	AnIN2-	Analog input 2, negative signal
B27	AnOUT1	Analog output 1
B28	AnOUT2	Analog output 2
B29	ID 1	CAN ID / DEV ID 1 (valence = 1)
B30	ID 2	CAN ID / DEV ID 2 (valence = 2)

Continued on next page.

Pin	Signal	Description
B31	ID 3	CAN ID / DEV ID 3 (valence = 4)
B32	ID 4	CAN ID / DEV ID 4 (valence = 8)
B33	ID 5	CAN ID / DEV ID 5 (valence = 16)
B34	Auto bit rate	Automatic bit rate detection of CAN bus
B35	CAN high	CAN high bus line
B36	CAN low	CAN low bus line
B37...B38	GND	Ground
B39 <sup>(4)</sup>	DSP_RxD	Serial communication interface receive (UART)
B40	DSP_TxD	Serial communication interface transmit (UART)
B41 <sup>(5)</sup>	SPI_CLK	Serial Peripheral Interface clock
B42 <sup>(5)</sup>	SPI_IRQ	Serial Peripheral Interface interrupt request
B43 <sup>(5)</sup>	SPI_SOMI	Serial Peripheral Interface Slave output, Master input
B44 <sup>(5)</sup>	SPI_SIMO	Serial Peripheral Interface Slave input, Master output
B45 <sup>(5)</sup>	SPI_CS2	Serial Peripheral Interface chip select 2
B46 <sup>(5)</sup>	SPI_CS1	Serial Peripheral Interface chip select 1
(4)	connect to sensor supply voltage $V_{\text{Sensor}}$ (A40) when RS232 is not in use	
(5)	only used for maxon extension modules	

Table 3-9 Pin assignment B1...B46 (X6...X12)



### 3.3 Pin Assignment for Connector Boards & Compact Versions

As an alternative to developing an own motherboard, ready-made connector boards are available to combine the Module to Compact versions. They comprise all required connections.  
For in-depth details on connections → chapter “3.4 Connection Specifications” on page 3-44.

#### 3.3.1 EPOS4 CB 50/5 CAN (534133) / EPOS4 Compact 50/5 CAN (541718)

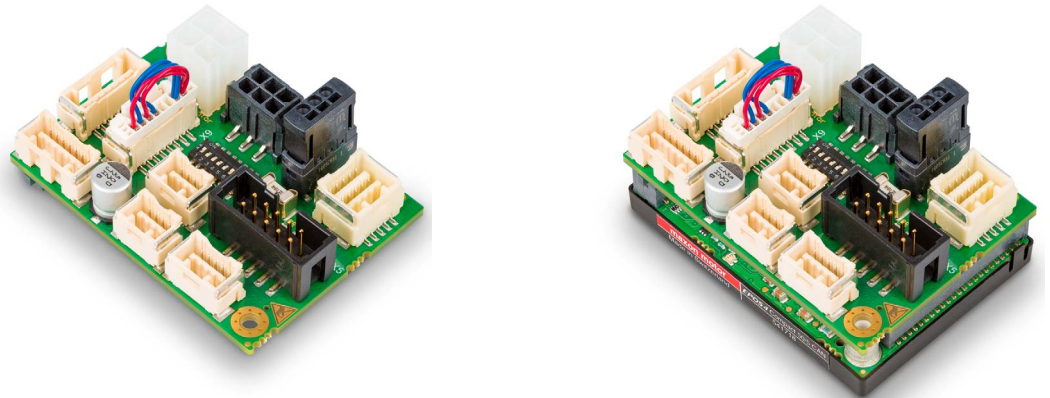


Figure 3-12 EPOS4 CB 50/5 CAN (left) / EPOS4 Compact 50/5 CAN (right)

#### 3.3.2 EPOS4 CB 50/5 EtherCAT (620044) / EPOS4 Compact 50/5 EtherCAT (628094)

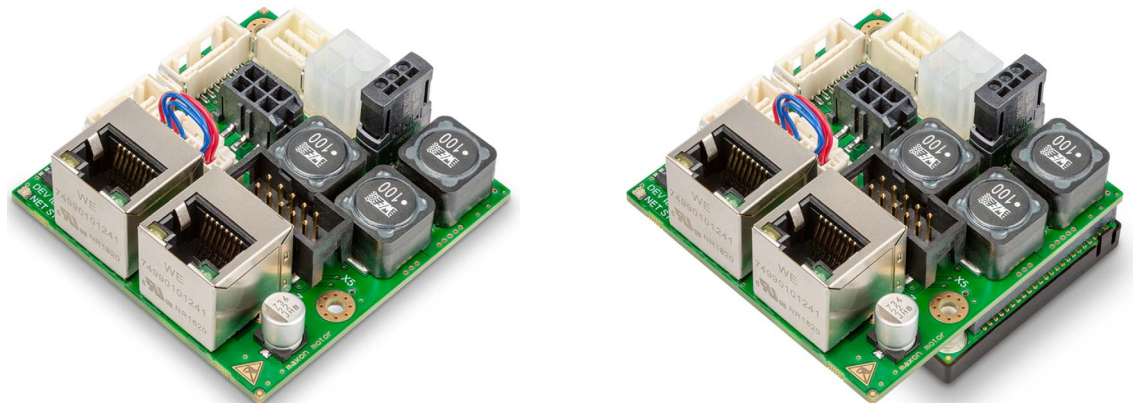


Figure 3-13 EPOS4 CB 50/5 EtherCAT (left) / EPOS4 Compact 50/5 EtherCAT (right)

### 3.3.3 Cabling

#### PLUG&PLAY

Take advantage of maxon's prefab cable assemblies. They come as ready-to-use parts and will help to reduce commissioning time to a minimum.

- a) Check the following table and find the part number of the cable assembly that matches the setup you will be using.
- b) Follow the cross-reference to get the cable's pin assignment.

Connector		Prefab Cable Assembly		
Compact CAN	Compact EtherCAT	Designation	Part Number	→Page
	X3	Motor Cable	275851	3-30
	X4	Hall Sensor Cable	275878	3-31
	X5	Encoder Cable	275934	3-32
	X6	Sensor Cable 5x2core	520852	3-34
	X7	Signal Cable 8core	520853	3-34
	X8	Signal Cable 7core	520854	3-35
	X9	Signal Cable 8core	520853	3-34
X10	—	RS232-COM Cable	520856	3-37
X11	—	CAN-COM Cable CAN-CAN Cable	520857 520858	3-38 3-38
X12	—	CAN-COM Cable CAN-CAN Cable	520857 520858	3-38 3-38
	X13	USB Type A - micro B Cable (located at the Module)	403968	3-76
—	X14	Ethernet Cable	422827	3-40
—	X15	Ethernet Cable	422827	3-40

Table 3-10 Prefab maxon cables

## MAKE&BAKE YOUR OWN

If you decide not to employ maxon's prefab cable assemblies, you might wish to use the prepackaged kit that contains all connectors required to make up your own cabling.

EPOS4 Connector Set (520859)		
Connector	Specification	Quantity
<b>Connectors</b>		
—	Molex Mega-Fit, 2 poles (171692-0102)	1
—	Molex Mini-Fit Jr., 2 poles (39-01-2020)	2
X3	Molex Mini-Fit Jr., 4 poles (39-01-2040)	1
—	Molex Mega-Fit, 4 poles (171692-0104)	1
X4	Molex Micro-Fit 3.0, 6 poles (430-25-0600)	1
X6	Molex CLIK-Mate, dual row, 10 poles (503149-1000)	1
X7 / X9	Molex CLIK-Mate, single row, 8 poles (502578-0800)	2
X8	Molex CLIK-Mate, single row, 7 poles (502578-0700)	1
X10	Molex CLIK-Mate, single row, 5 poles (502578-0500)	1
X11 / X12	Molex CLIK-Mate, single row, 4 poles (502578-0400)	2
<b>Crimp Terminals</b>		
—	Molex Mega-Fit, female crimp terminal (172063-0311)	7
X3	Molex Mini-Fit Jr. female crimp terminal (45750-1111)	9
X4	Molex Micro-Fit 3.0 female crimp terminal (43030-0010)	7
X6...X12	Molex CLIK-Mate crimp terminal (502579-0100)	44
<b>Accessories</b>		
X5	3M Retainer Clip with strain relief, height 13.5 mm (3505-8110)	1

Table 3-11 EPOS4 Connector Set – Content

### 3.3.4 Tools

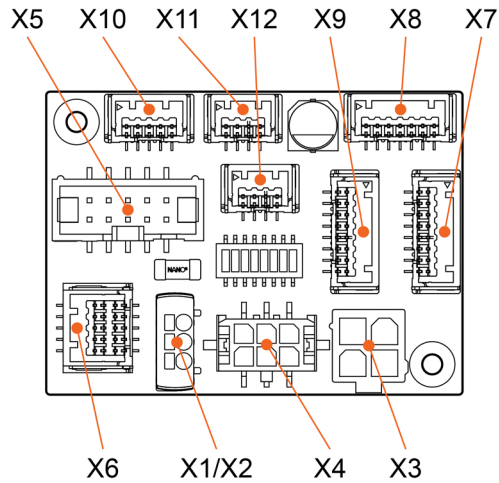
Tool	Manufacturer	Part Number
Hand crimper for CLIK-Mate crimp terminals	Molex	63819-4600
Hand crimper for Micro-Fit 3.0 crimp terminals	Molex	63819-0000
Hand crimper for Mini-Fit crimp terminals	Molex	63819-0900

Table 3-12 Recommended tools

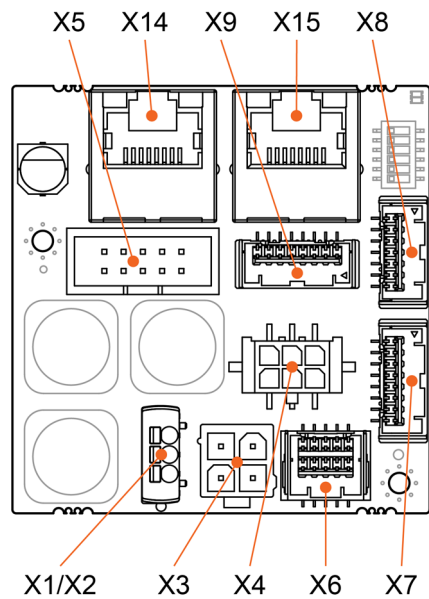
### 3.3.5 Connections

The USB interface (X13) is located at the Module.

#### EPOS4 CB 50/5 CAN



#### EPOS4 CB 50/5 EtherCAT



- X1/X2** Power & Logic Supply →page 3-29
- X3** Motor →page 3-30
- X4** Hall Sensor →page 3-31
- X5** Encoder →page 3-32
- X6** Sensor →page 3-33
- X7** Digital I/O →page 3-34
- X8** Analog I/O →page 3-35
- X9** STO →page 3-36
- X10** RS232 →page 3-37
- X11** CAN 1 →page 3-38
- X12** CAN 2 →page 3-38
- X14** EtherCAT IN →page 3-39
- X15** EtherCAT OUT →page 3-39

Figure 3-14 Connector Boards – Connectors



#### How to read pin assignment tables

- The first column describes both the pin number of the connector and of the matching prefab maxon cable's Head A.
- The second column describes the cable core color of the prefab maxon cable.
- The third column describes the pin number of the prefab maxon cable's Head B.

3.3.5.1 Power & Logic Supply (X1/X2)



**Best practice**

Keep the motor mechanically disconnected during the setup and adjustment phase.

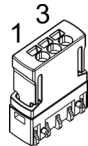


Figure 3-15 Power & logic supply connector X1/X2

X1/X2 Head A Pin	Prefab Cable Color	Head B Pin	Signal	Description
1		-	GND	Ground
2		+	+V <sub>CC</sub>	Power supply voltage (+10...+50 VDC)
3		+	+V <sub>C</sub>	Logic supply voltage (+10...+50 VDC)

Table 3-13 Power & logic supply connector X1/X2 – Pin assignment

Power & Logic Supply Connector X1/X2 (590736)		
Type	Spring-loaded contacts, 3 poles, pitch 2.54 mm	
Suitable plug	Harting har-flexicon 2.54 FPV-3 BK (14 31 031 3101 000) —included with every Compact version delivery—	
Suitable cables	Rigid	0.14...0.5 mm <sup>2</sup> , AWG 26-20 / wire stripping length 6 mm
	Flexible	0.2...0.5 mm <sup>2</sup> , AWG 24-20 / wire stripping length 6 mm 0.25...0.34 mm <sup>2</sup> , AWG 24-22 / wire stripping length 6 mm, wire end sleeves
Suitable tools	Miniature screwdriver, size “00”	

Table 3-14 Power & logic supply connector X1/X2 – Specification and accessories

### 3.3.5.2 Motor (X3)

The controller is set to drive either maxon EC motor (BLDC, brushless DC motor) or maxon DC motor (brushed DC motor) with separated motor/encoder cable.

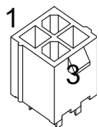


Figure 3-16 Motor connectors X3

X3 Head A Pin	Prefab Cable Color	Head B Pin	Signal	Description
1	white		Motor (+M)	DC motor: Motor +
2	brown		Motor (-M)	DC motor: Motor -
3	green		-	not connected
4	black		Motor shield	Cable shield

Table 3-15 Motor connector X3 – Pin assignment for maxon DC motor

X3 Head A Pin	Prefab Cable Color	Head B Pin	Signal	Description
1	white		Motor winding 1	EC motor: Winding 1
2	brown		Motor winding 2	EC motor: Winding 2
3	green		Motor winding 3	EC motor: Winding 3
4	black		Motor shield	Cable shield

Table 3-16 Motor connector X3– Pin assignment for maxon EC motor

Motor Cable for X3 (275851)		
Cross-section	3 x 0.75 mm <sup>2</sup> , shielded, grey	
Length	3 m	
Head A	Plug	Molex Mini-Fit Jr., 4 poles (39-01-2040)
	Contacts	Molex Mini-Fit Jr. female crimp terminals (45750)
Head B	Wire end sleeves 0.75 mm <sup>2</sup>	

Table 3-17 Motor Cable

3.3.5.3 Hall Sensor (X4)

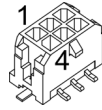


Figure 3-17 Hall sensor connector X4

X4 Head A Pin	Prefab Cable Color	Head B Pin	Signal	Description
1	green		Hall sensor 1	Hall sensor 1 input
2	brown		Hall sensor 2	Hall sensor 2 input
3	white		Hall sensor 3	Hall sensor 3 input
4	yellow		GND	Ground
5	grey		$V_{\text{Sensor}}$	Sensor supply voltage (+5 VDC; $I_L \leq 100 \text{ mA}$ )
6	black		Hall shield	Cable shield

Table 3-18 Hall sensor connector X4 – Pin assignment

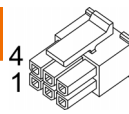
Hall Sensor Cable (275878)		
<b>A</b>		<b>B</b>
Cross-section	5 x 0.14 mm <sup>2</sup> , shielded, grey	
Length	3 m	
Head A	Plug	Molex Micro-Fit 3.0, 6 poles (430-25-0600)
	Contacts	Molex Micro-Fit 3.0 female crimp terminals (430-30-xxxx)
Head B	Wire end sleeves 0.14 mm <sup>2</sup>	

Table 3-19 Hall Sensor Cable

**3.3.5.4 Encoder (X5)**

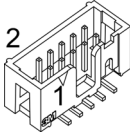


Figure 3-18 Encoder connector X5

X5 Head A Pin	Prefab Cable Color	Head B Pin	Signal	Description
1	brown	1	–	not connected
2	white	2	$V_{\text{Sensor}}$	Sensor supply voltage (+5 VDC; $I_L \leq 100$ mA)
3	red	3	GND	Ground
4	white	4	–	not connected
5	orange	5	Channel A\	Channel A complement
6	white	6	Channel A	Channel A
7	yellow	7	Channel B\	Channel B complement
8	white	8	Channel B	Channel B
9	green	9	Channel I\	Channel I complement
10	white	10	Channel I	Channel I

Table 3-20 Encoder connector X5 – Pin assignment

Accessories		
Suitable strain relief	Retainer	For sockets with strain relief: 1 retainer clip, height 13.5 mm, 3M (3505-8110)
		For sockets without strain relief: 1 retainer clip, height 7.9 mm, 3M (3505-8010)
	Latch	For sockets with strain relief: 2 pieces, 3M (3505-33B)

Table 3-21 Encoder connector X5 – Accessories

Encoder Cable (275934)	
Cross-section	10 x AWG28, round-jacket, flat cable, pitch 1.27 mm
Length	3.2 m
Head A	DIN 41651 female, pitch 2.54 mm, 10 poles, with strain relief
Head B	DIN 41651 plug, pitch 2.54 mm, 10 poles, with strain relief

Table 3-22 Encoder Cable



### 3.3.5.5 Sensor (X6)

Additional sensors, both incremental and serial encoders, can be connected.

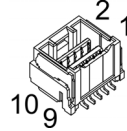


Figure 3-19 Sensor connector X6

X6 Head A Pin	Prefab Cable Color	Head B Pin	Signal	Description
1	white	1	Channel A	Digital/analog incremental encoder channel A
			HsDigIN1	High-speed digital input 1
2	brown	2	Channel A\	Digital/analog incremental encoder channel A complement
			HsDigIN1\	High-speed digital input 1 complement
3	green	3	Channel B	Digital/analog incremental encoder channel B
			HsDigIN2	High-speed digital input 2
4	yellow	4	Channel B\	Digital/analog incremental encoder channel B complement
			HsDigIN2\	High-speed digital input 2 complement
5	grey	5	Channel I	Digital/analog incremental encoder channel I
			HsDigIN3	High-speed digital input 3
			Clock	Clock (SSI)
			HsDigOUT1	High-speed digital output 1
6	pink	6	Channel I\	Digital/analog incremental encoder channel I complement
			HsDigIN3\	High-speed digital input 3 complement
			Clock\	Clock (SSI) complement
			HsDigOUT1\	High-speed digital output 1 complement
7	blue	7	Data	Data (SSI)
			HsDigIN4	High-speed digital input 4
8	red	8	Data\	Data (SSI) complement
			HsDigIN4\	High-speed digital input 4 complement
9	black	9	GND	Ground
10	violet	10	V <sub>Aux</sub>	Auxiliary output voltage (+5 VDC; I <sub>L</sub> ≤ 150 mA)

Table 3-23 Sensor connector X6 – Pin assignment

Continued on next page.


Sensor Cable 5x2core (520852)		
		<b>B</b>
Cross-section	5 x 2 x 0.14 mm <sup>2</sup> , twisted pair, grey	
Length	3 m	
Head A	Plug	Molex CLIK-Mate, dual row, 10 poles (503149-1000)
	Contacts	Molex CLIK-Mate crimp terminals (502579)
Head B	Wire end sleeves 0.14 mm <sup>2</sup>	

Table 3-24 Sensor Cable 5x2core

### 3.3.5.6 Digital I/O (X7)

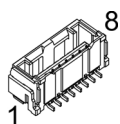


Figure 3-20 Digital I/O connector X7

X7 Head A Pin	Prefab Cable Color	Head B Pin	Signal	Description
1	white	1	DigIN1	Digital input 1
2	brown	2	DigIN2	Digital input 2
3	green	3	DigIN3	Digital input 3
4	yellow	4	DigIN4	Digital input 4
5	grey	5	DigOUT1	Digital output 1
6	pink	6	DigOUT2	Digital output 2
7	blue	7	GND	Ground
8	red	8	V <sub>Aux</sub>	Auxiliary output voltage (+5 VDC; I <sub>L</sub> ≤150 mA)

Table 3-25 Digital I/O connector X7 – Pin assignment


Signal Cable 8core (520853)		
		<b>B</b>
Cross-section	8 x 0.14 mm <sup>2</sup> , grey	
Length	3 m	
Head A	Plug	Molex CLIK-Mate, single row, 8 poles (502578-0800)
	Contacts	Molex CLIK-Mate crimp terminals (502579)
Head B	Wire end sleeves 0.14 mm <sup>2</sup>	

Table 3-26 Signal Cable 8core

3.3.5.7 Analog I/O (X8)

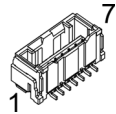


Figure 3-21 Analog I/O connector X8

X8 Head A Pin	Prefab Cable Color	Head B Pin	Signal	Description
1	white	1	AnIN1+	Analog input 1, positive signal
2	brown	2	AnIN1-	Analog input 1, negative signal
3	green	3	AnIN2+	Analog input 2, positive signal
4	yellow	4	AnIN2-	Analog input 2, negative signal
5	grey	5	AnOUT1	Analog output 1
6	pink	6	AnOUT2	Analog output 2
7	blue	7	GND	Ground

Table 3-27 Analog I/O connector X8 – Pin assignment

Signal Cable 7core (520854)		
Cross-section	7 x 0.14 mm <sup>2</sup> , grey	
Length	3 m	
Head A	Plug	Molex CLIK-Mate, single row, 7 poles (502578-0700)
	Contacts	Molex CLIK-Mate crimp terminals (502579)
Head B	Wire end sleeves 0.14 mm <sup>2</sup>	

Table 3-28 Signal Cable 7core

### 3.3.5.8 STO (X9)

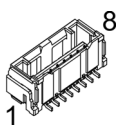


Figure 3-22 STO connector X9



#### Activation of power stage

In order to activate the power stage, either **both** STO inputs must be powered or the «STO Idle Connector» (→Table 3-30; included with every Compact version delivery) must be plugged.

X9 Head A Pin	Prefab Cable Color	Head B Pin	Signal	Description
1	white	1	STO-IN1+	Safe Torque Off input 1, positive signal
2	brown	2	STO-IN1-	Safe Torque Off input 1, negative signal
3	green	3	STO-IN2+	Safe Torque Off input 2, positive signal
4	yellow	4	STO-IN2-	Safe Torque Off input 2, negative signal
5	grey	5	STO-OUT+	Safe Torque Off output, positive signal
6	pink	6	STO-OUT-	Safe Torque Off output, negative signal
7	blue	7	GND	Ground
8	red	8	V <sub>STO</sub>	Activation voltage for STO inputs (+5 VDC) <b>Note:</b> Do not use this voltage for any other purpose

Table 3-29 STO connector X9 – Pin assignment

For the matching prefab cable assembly →Table 3-26 on page 3-34.

STO Idle Connector (520860) —included with every Compact version delivery—	
Plug	Molex CLIK-Mate, single row, 8 poles (502578-0800) with cable bridges

Table 3-30 STO Idle Connector

3.3.5.9 RS232 (X10)

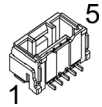


Figure 3-23 RS232 connector X10

X10 Head A Pin	Prefab Cable Color	Head B Pin	Signal	Description
1	white	3	EPOS_RxD	EPOS RS232 receive
2	brown	5	GND	Ground
3	green	2	EPOS_TxD	EPOS RS232 transmit
4	yellow	5	GND	Ground
5	Shield	Housing	Shield	Cable shield

Table 3-31 RS232 connector X10 – Pin assignment

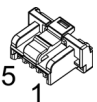
RS232-COM Cable (520856)		
<b>A</b>		<b>B</b>
Cross-section	2 x 2 x 0.14 mm <sup>2</sup> , twisted pair, shielded	
Length	3 m	
Head A	Plug	Molex CLIK-Mate, single row, 5 poles (502578-0500)
	Contacts	Molex CLIK-Mate crimp terminals (502579)
Head B	Female D-Sub connector DIN 41652, 9 poles, with mounting screws	

Table 3-32 RS232-COM Cable

### 3.3.5.10 CAN 1 (X11) & CAN 2 (X12)

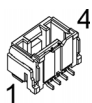


Figure 3-24 CAN 1 connector X11/CAN 2 connector X12

X11/X12 Head A Pin	Prefab Cable Color	520857 Head B Pin	520858 Head B Pin	Signal	Description
1	white	7	1	CAN high	CAN high bus line
2	brown	2	2	CAN low	CAN low bus line
3	green	3	3	GND	Ground
4	Shield	5	4	Shield	Cable shield

Table 3-33 CAN 1 connector X11/CAN 2 connector X12 – Pin assignment


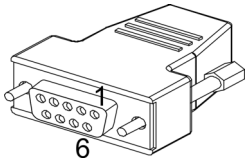
CAN-COM Cable (520857)		
 		
Cross-section	2 x 2 x 0.14 mm <sup>2</sup> , twisted pair, shielded	
Length	3 m	
Head A	Plug	Molex CLIK-Mate, single row, 4 poles (502578-0400)
	Contacts	Molex CLIK-Mate crimp terminals (502579)
Head B	Female D-Sub connector DIN 41652, 9 poles, with mounting screws	

Table 3-34 CAN-COM Cable


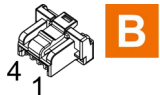
CAN-CAN Cable (520858)		
 		
Cross-section	2 x 2 x 0.14 mm <sup>2</sup> , twisted pair, shielded	
Length	3 m	
Head A	Plug	Molex CLIK-Mate, single row, 4 poles (502578-0400)
	Contacts	Molex CLIK-Mate crimp terminals (502579)
Head B	Plug	Molex CLIK-Mate, single row, 4 poles (502578-0400)
	Contacts	Molex CLIK-Mate crimp terminals (502579)

Table 3-35 CAN-CAN Cable

3.3.5.11 EtherCAT IN (X14) & EtherCAT OUT (X15)



**Wrong plugging may cause hardware damage**

Even though both EtherCAT sockets are prepared for identical external wiring, make sure to always connect them as follows.

- Use only standard Cat5 cables with RJ45 plug, such as maxon's «Ethernet Cable» (422827).
- Use EtherCAT IN (X14) as «Input».
- Use EtherCAT OUT (X15) as «Output».

For detailed information → separate document «EPOS4 Communication Guide».

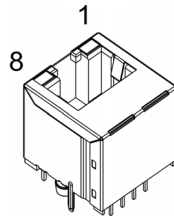


Figure 3-25 EtherCAT IN & EtherCAT OUT connectors X14 & X15

X14 X15 Head A Pin	Prefab Cable Color	Head B Pin	Signal	Description
1	white/ orange	1	TX+	Transmission Data+
2	orange	2	TX-	Transmission Data-
3	white/ green	3	RX+	Receive Data+
4	blue	4	–	not applicable
5	white/ blue	5	–	not applicable
6	green	6	RX-	Receive Data-
7	white/ brown	7	–	not applicable
8	brown	8	–	not applicable

Table 3-36 EtherCAT IN & EtherCAT OUT connectors X14 & X15 – Pin assignment

Continued on next page.

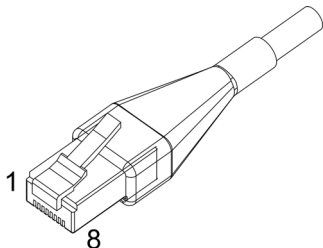
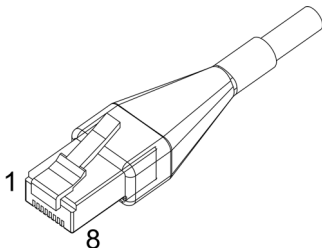
Ethernet Cable (422827)	
<b>A</b>	<b>B</b>
	
Cross-section	Cat. 5e SF/UTP (ISO/IEC 11801), 1:1 patch cable, green
Length	2 m
Head A	RJ45 (8P8CS) EIA/TIA-568B
Head B	RJ45 (8P8CS) EIA/TIA-568B

Table 3-37 Ethernet Cable



3.3.6 DIP Switch Configuration (SW1)

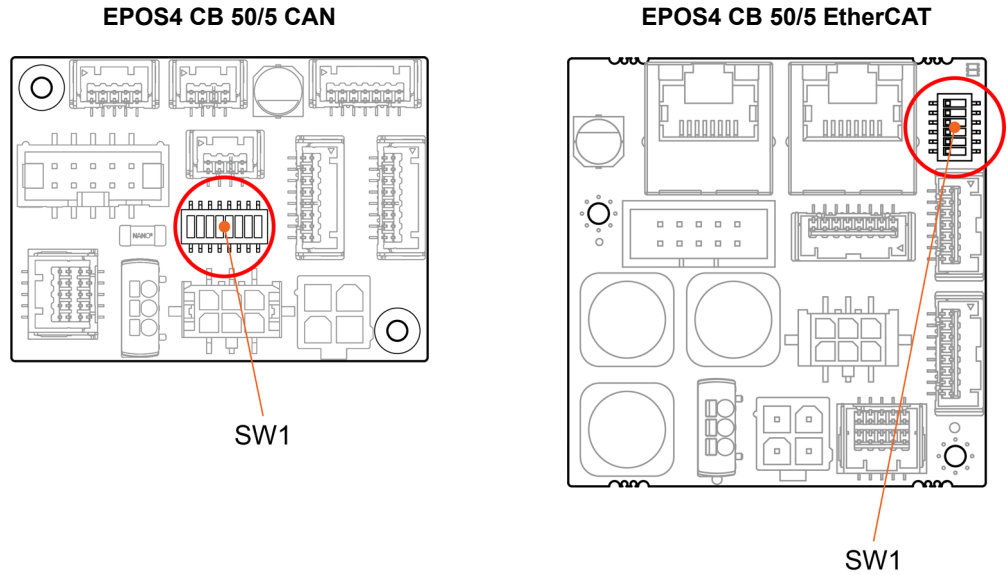


Figure 3-26 DIP switch SW1

3.3.6.1 CAN ID (Node-ID) / DEV ID



**Setting the ID by means of DIP switches is currently available for CAN only!**

The device's identification (subsequently called "ID") is set by means of DIP switches 1...5. The ID (1...31) may be coded using binary code.



**Setting the ID by DIP switch SW1**

- By setting the DIP switch (1...5) address 0 ("OFF"), the ID may be set by software (object 0x2000 «Node-ID», range 1...127).
- The ID results in the summed values of DIP switch addresses 1 ("ON").
- With EPOS4 CB Power CAN, DIP switches 6...8 do not have any impact on the ID.
- With EPOS4 CB Power EtherCAT, DIP switch 6 does not have any impact on the ID.

Controller		Switch	Binary Code	Valence
Compact CAN	Compact EtherCAT			
		1	2 <sup>0</sup>	1
		2	2 <sup>1</sup>	2
		3	2 <sup>2</sup>	4
		4	2 <sup>3</sup>	8
		5	2 <sup>4</sup>	16

Table 3-38 DIP switch SW1 – Binary code values

Continued on next page.

The set ID can be observed by adding the valence of all activated switches. Use the following table as a (non-concluding) guide:

Controller		Switch					ID
Compact CAN	Compact EtherCAT	1	2	3	4	5	
		0	0	0	0	0	–
		1	0	0	0	0	1
		0	1	0	0	0	2
		0	0	1	0	0	4
		1	0	1	0	0	5
		0	0	0	1	0	8
		0	0	0	0	1	16
		1	1	1	1	1	31

0 = Switch "OFF"      1 = Switch "ON"

Table 3-39      DIP switch SW1 – Examples

**3.3.6.2 CAN automatic Bit Rate Detection (Compact CAN)**

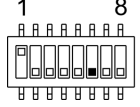
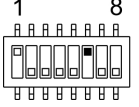
Controller	Switch	OFF	ON
Compact CAN	6	 <p>Automatic bit rate detection deactivated</p>	 <p>Automatic bit rate detection activated (factory setting)</p>

Table 3-40 DIP switch SW1 – CAN automatic bit rate detection

**3.3.6.3 CAN Bus Termination (Compact CAN)**

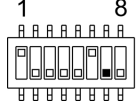
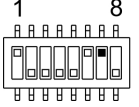
Controller	Switch	OFF	ON
Compact CAN	7	 <p>Without bus termination (factory setting)</p>	 <p>Bus termination with 120 Ω</p>

Table 3-41 DIP switch SW1 – CAN bus termination

**3.3.6.4 Digital Input Level**

For details →chapter “3.4.7 Digital I/Os” on page 3-62.

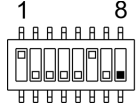
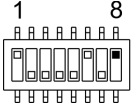
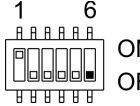
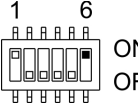
Controller	Switch	OFF	ON
Compact CAN	8	 <p>Logic level (factory setting)</p>	 <p>PLC level</p>
Compact EtherCAT	6	 <p>Logic level (factory setting)</p>	 <p>PLC level</p>

Table 3-42 DIP switch SW1 – Digital input level

**3.3.7 Spare Parts**

Order number	Description
520860	STO Idle Connector X9
590736	Power & Logic Supply Connector X1/X2

Table 3-43 Spare parts list

### 3.4 Connection Specifications

The actual connection will depend on the overall configuration of your drive system and the type of motor you will be using. Follow the description in given order and choose the wiring diagram (→ as of page 5-87) that best suits the components you are using.



**How to read the following data**

The following tables feature, where applicable, connection details for both versions the Module and the Compact. Thereby,...

- the column «Module Header Pin» refers to the header's pin number.  
Example: **A23...A29** means header A, pins 23 thru 29
- the column «Compact/CB Connector Pin» refers to the connector's pin number.  
Example: **X1/X2 | 2** means connector X1/X2, pin 2

For easier legibility, the subsequently used circuit diagrams refer to the Module. For the corresponding Compact's circuitry take the second column «Compact/CB Connector Pin» into account.

#### 3.4.1 Power Supply

Basically, any power supply may be used provided that it meets the below stated minimum requirements.

Module Header Pin	Compact/CB Connector Pin	Signal	Description
A23...A29**	X1/X2   2	+V <sub>CC</sub>	Power supply voltage (+10...+50 VDC)
A30...A36**	X1/X2   1	GND	Ground

\*\* Connect all pins in respect to the individual pin current rating.

Table 3-44 Power supply – Pin assignment

Power supply requirements	
Output voltage	+V <sub>CC</sub> 10...50 VDC
Absolute output voltage	min. 8 VDC; max. 56 VDC
Output current	Depending on load <ul style="list-style-type: none"> <li>• continuous max. 5 A</li> <li>• short-time (acceleration, &lt;3 s) max. 15 A</li> </ul>

Table 3-45 Power supply requirements

- 1) Use the formula below to calculate the required voltage under load.
- 2) Choose a power supply according to the calculated voltage. Thereby consider:
  - a) During braking of the load, the power supply must be capable of buffering the recovered kinetic energy (for example, in a capacitor).
  - b) If you are using an electronically stabilized power supply, make sure that the overcurrent protection circuit is configured inoperative within the operating range.

Continued on next page.

**The formula already takes the following into account:**

- Maximum PWM duty cycle of 90%
- Controller's max. voltage drop of 1 V @ 5 A

**KNOWN VALUES:**

- Operating torque M [mNm]
- Operating speed n [rpm]
- Nominal motor voltage  $U_N$  [Volt]
- Motor no-load speed at  $U_N$ ;  $n_o$  [rpm]
- Speed/torque gradient of the motor  $\Delta n/\Delta M$  [rpm/mNm]

**SOUGHT VALUE:**

- Supply voltage  $+V_{CC}$  [Volt]

**SOLUTION:**

$$V_{CC} \geq \left[ \frac{U_N}{n_o} \cdot \left( n + \frac{\Delta n}{\Delta M} \cdot M \right) \cdot \frac{1}{0.9} \right] + 1 [V]$$

**3.4.2 Logic Supply****Separate power supply**

The logic part of the controller may be supplied by separate supply voltage provided that it meets the below stated minimum requirements.

- *Module:* The logic supply must be connected separately.
- *Compact:* If not supplied separately, the logic supply is internally connected to the power supply.

Module Header Pin	Compact/CB Connector Pin	Signal	Description
A22	X1/X2   3	$+V_C$	Logic supply voltage (+10...+50 VDC)
A30...A36**	X1/X2   1	GND	Ground

\*\* Connect all pins in respect to the individual pin current rating.

Table 3-46 Logic supply – Pin assignment

Power supply requirements	
Output voltage	$+V_C$ 10...50 VDC
Absolute supply voltage	min. 8 VDC; max. 56 VDC
Min. output power	$P_C$ min. 3.5 W

Table 3-47 Logic supply requirements

### 3.4.3 Motor

The EPOS4 is set to drive either maxon DC motors (brushed) or maxon EC motors (brushless).

Module Header Pin	Compact/CB Connector Pin	Signal	Description
A1...A7**	X3   1	Motor (+M)	Motor +
A8...A14**	X3   2	Motor (-M)	Motor -
-	X3   3	-	not connected
-	X3   4	Motor shield	Cable shield

\*\* Connect all pins in respect to the individual pin current rating.

Table 3-48 DC motor – Pin assignment

Module Header Pin	Compact/CB Connector Pin	Signal	Description
A1...A7**	X3   1	Motor winding 1	Winding 1
A8...A14**	X3   2	Motor winding 2	Winding 2
A15...A21**	X3   3	Motor winding 3	Winding 3
-	X3   4	Motor shield	Cable shield

\*\* Connect all pins in respect to the individual pin current rating.

Table 3-49 EC motor – Pin assignment

### 3.4.4 Hall Sensor

Module Header Pin	Compact/CB Connector Pin	Signal	Description
A30...A36	X4   4	GND	Ground
A37	X4   1	Hall sensor 1	Hall sensor 1 input
A38	X4   2	Hall sensor 2	Hall sensor 2 input
A39	X4   3	Hall sensor 3	Hall sensor 3 input
A40	X4   5	$V_{\text{Sensor}}$	Sensor supply voltage (+5 VDC; $I_L \leq 100$ mA)
–	X4   6	Hall shield	Cable shield

Table 3-50 Hall sensor – Pin assignment

Hall sensor	
Sensor supply voltage ( $V_{\text{Sensor}}$ )	+5 VDC
Max. Hall sensor supply current	30 mA
Input voltage	0...24 VDC
Max. input voltage	+24 VDC
Logic 0	typically <0.8 V
Logic 1	typically >2.0 V
Internal pull-up resistor	10 k $\Omega$ (referenced to +5.45 V)

Table 3-51 Hall sensor specification

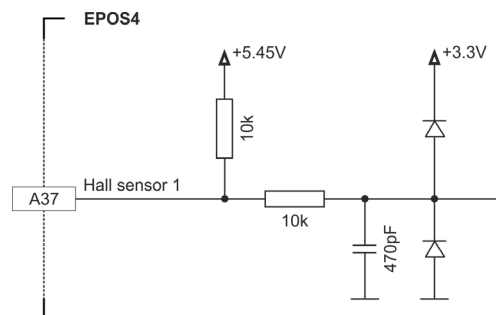


Figure 3-27 Hall sensor 1 input circuit (analogously valid for Hall sensors 2 & 3)

### 3.4.5 Encoder



#### Best practice

- *Differential signals offer good resistance against electrical interference. Therefore, **we recommend using a differential scheme**. Nevertheless, the controller supports both schemes – differential and single-ended (unsymmetrical).*
- *For best performance, **we strongly recommend using encoders with a line driver**. Otherwise, limitations may apply due to slow switching edges.*
- *Even though 2-channel will do, **we strongly recommend to use only 3-channel versions**.*

Module Header Pin	Compact/CB Connector Pin	Signal	Description
A30...A36	X5   3	GND	Ground
A40	X5   2	$V_{\text{Sensor}}$	Sensor supply voltage (+5 VDC; $I_L \leq 100$ mA)
A41	X5   6	Channel A	Digital incremental encoder channel A
A42	X5   5	Channel A\	Digital incremental encoder channel A complement
A43	X5   8	Channel B	Digital incremental encoder channel B
A44	X5   7	Channel B\	Digital incremental encoder channel B complement
A45	X5   10	Channel I	Digital incremental encoder channel I
A46	X5   9	Channel I\	Digital incremental encoder channel I complement

Table 3-52 Encoder – Pin assignment



Encoder (differential)	
Sensor supply voltage ( $V_{\text{Sensor}}$ )	+5 VDC
Max. encoder supply current	70 mA
Min. differential input voltage	$\pm 200$ mV
Max. input voltage	$\pm 12$ VDC
Line receiver (internal)	EIA RS422 standard
Max. input frequency	6.25 MHz

Table 3-53 Differential encoder specification

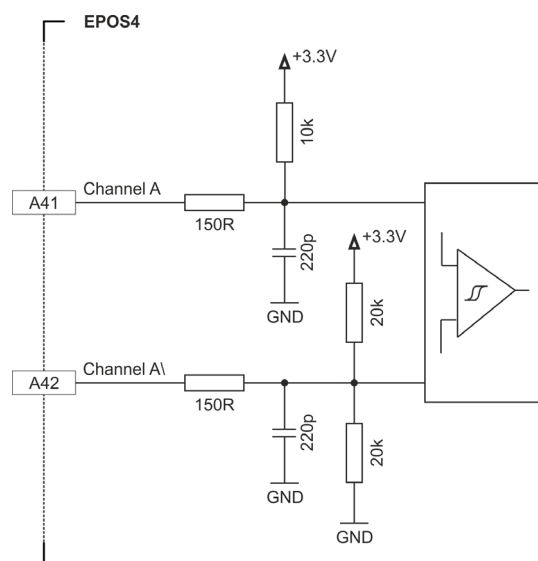


Figure 3-28 Encoder input circuit Ch A “differential” (analogously valid for Ch B & Ch I)

Encoder (single-ended)		
Sensor supply voltage ( $V_{\text{Sensor}}$ )	+5 VDC	
Max. encoder supply current	70 mA	
Input voltage	0...5 VDC	
Max. input voltage	$\pm 12$ VDC	
Logic 0	<1.0 V	
Logic 1	>2.4 V	
Input high current	$I_{\text{IH}}$ = typically +250 $\mu\text{A}$ @ 5 V	
Input low current	$I_{\text{IL}}$ = typically -330 $\mu\text{A}$ @ 0 V	
Max. input frequency	Push-pull	Open collector
	6.25 MHz	40 kHz (internal pull-up only)
		150 kHz (additional external 3k3 pull-up)

Table 3-54 Single-ended encoder specification

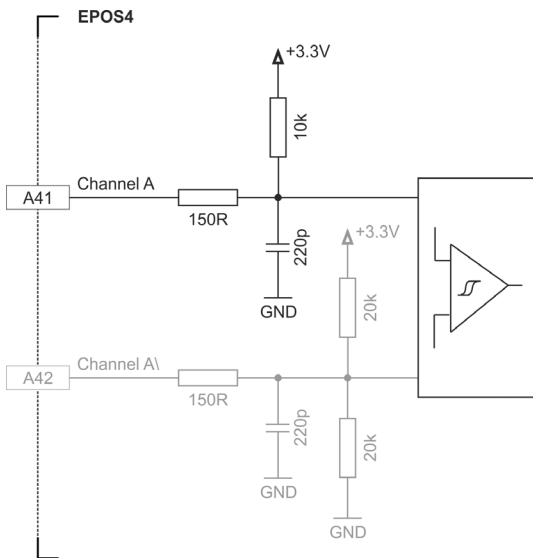


Figure 3-29 Encoder input circuit Ch A “single-ended” (analogously valid for Ch B & Ch I)

### 3.4.6 Sensor



#### **Check on the applied sensor's data sheet**

If the specified inrush current or the maximum continuous current of the sensor should exceed 150 mA, you can connect the sensor supply voltage ( $V_{Sensor}$ ) in parallel to the auxiliary output voltage ( $V_{Aux}$ ).

#### 3.4.6.1 Incremental Encoder

Module Header Pin	Compact/CB Connector Pin	Signal	Description
B7	X6   1	Channel A	Digital/analog incremental encoder channel A
B8	X6   2	Channel A\	Digital/analog incremental encoder channel A complement
B9	X6   3	Channel B	Digital/analog incremental encoder channel B
B10	X6   4	Channel B\	Digital/analog incremental encoder channel B complement
B11	X6   5	Channel I	Digital/analog incremental encoder channel I
B12	X6   6	Channel I\	Digital/analog incremental encoder channel I complement
B15	X6   10	$V_{Aux}$	Auxiliary output voltage (+5 VDC; $I_L \leq 150$ mA)
B16	X6   9	GND	Ground

Table 3-55 Incremental encoder – Pin assignment

Digital incremental encoder (differential)	
Auxiliary output voltage ( $V_{Aux}$ )	+5 VDC
Max. auxiliary supply current	150 mA
Min. differential input voltage	$\pm 200$ mV
Max. input voltage	+12 VDC
Line receiver (internal)	EIA RS422 standard
Max. input frequency	6.25 MHz

Table 3-56 Differential digital incremental encoder specification

Continued on next page.

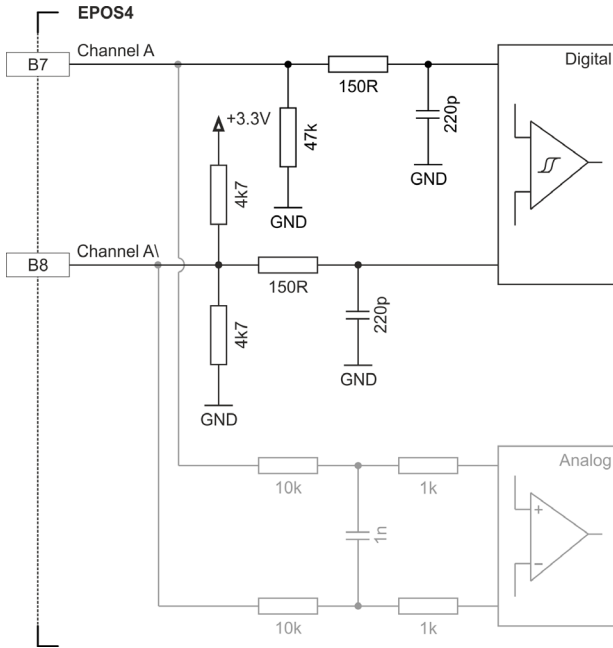


Figure 3-30 Digital incremental encoder input circuit Ch A “differential” (analogously valid for Ch B)

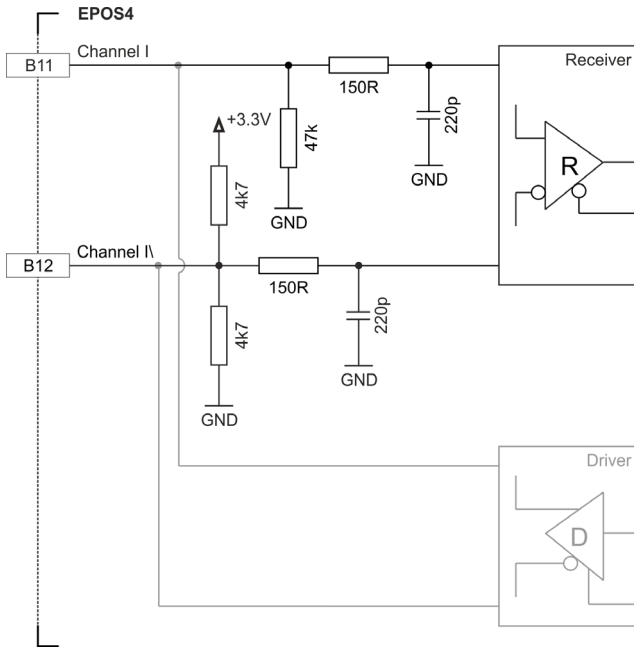


Figure 3-31 Digital incremental encoder input circuit Ch I

Digital incremental encoder (single-ended)		
Auxiliary output voltage ( $V_{Aux}$ )	+5 VDC	
Max. auxiliary supply current	150 mA	
Input voltage	0...5 VDC	
Max. input voltage	$\pm 12$ VDC	
Logic 0	<1.0 V	
Logic 1	>2.4 V	
Input high current	typically 210 $\mu$ A @ +5 VDC (channel A, B) typically 60 $\mu$ A @ +5 VDC (channel I)	
Input low current	typically -80 $\mu$ A @ 0 VDC (channel A, B) typically -7 $\mu$ A @ 0 VDC (channel I)	
Max. input frequency	Push-pull	Open collector
	6.25 MHz	100 kHz (additional external 3k3 pull-up)

Table 3-57 Single-ended digital incremental encoder specification

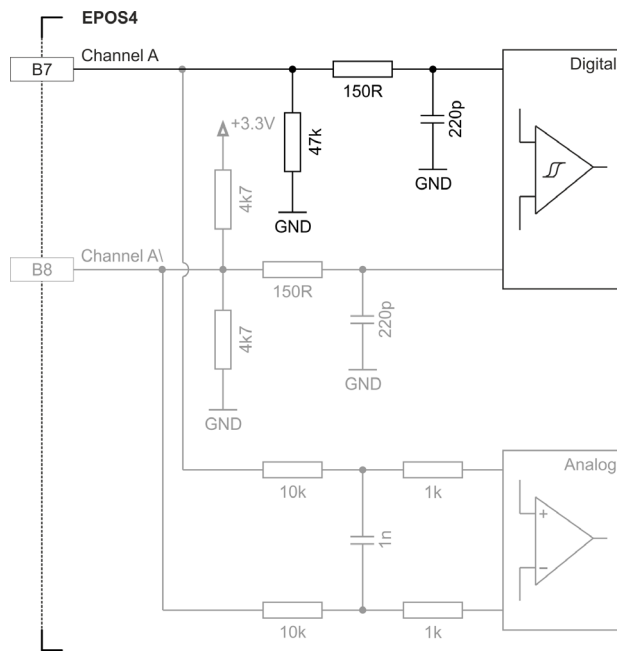


Figure 3-32 Digital incremental encoder input circuit Ch A “single-ended” (analogously valid for Ch B)

Continued on next page.

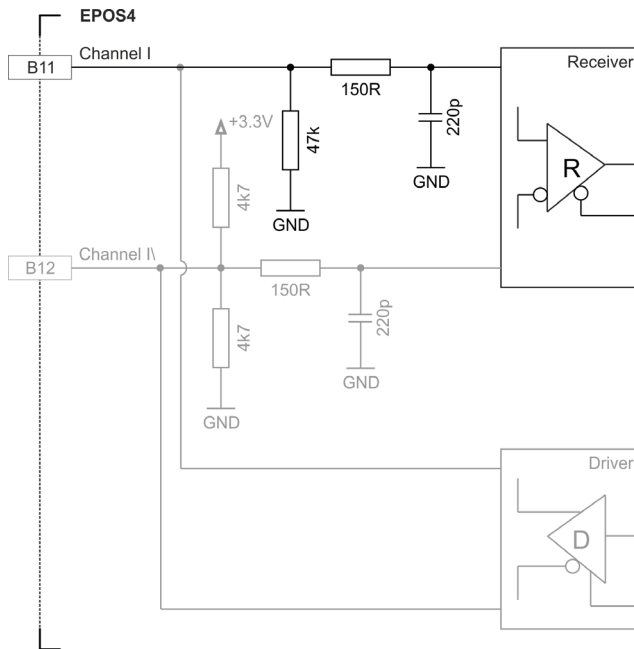


Figure 3-33 Digital incremental encoder input circuit Ch I

Analog incremental encoder SinCos (differential)	
Auxiliary output voltage ( $V_{Aux}$ )	+5 VDC
Max. auxiliary supply current	150 mA
Input voltage	$\pm 1.8$ V (differential)
Max. input voltage	$\pm 12$ VDC
Common mode voltage	-9...+4 VDC (referenced to GND)
Input resistance	typically 10 k $\Omega$
A/D converter	12-bit
Resolution	0.88 mV
Bandwidth	10 kHz

Table 3-58 Differential analog incremental encoder specification

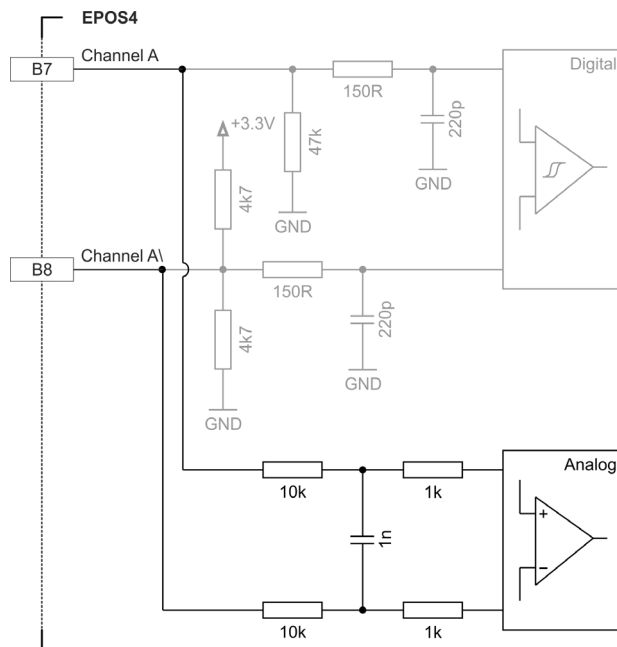


Figure 3-34 Analog incremental encoder input circuit Ch A “differential” (analogously valid for Ch B)

Continued on next page.

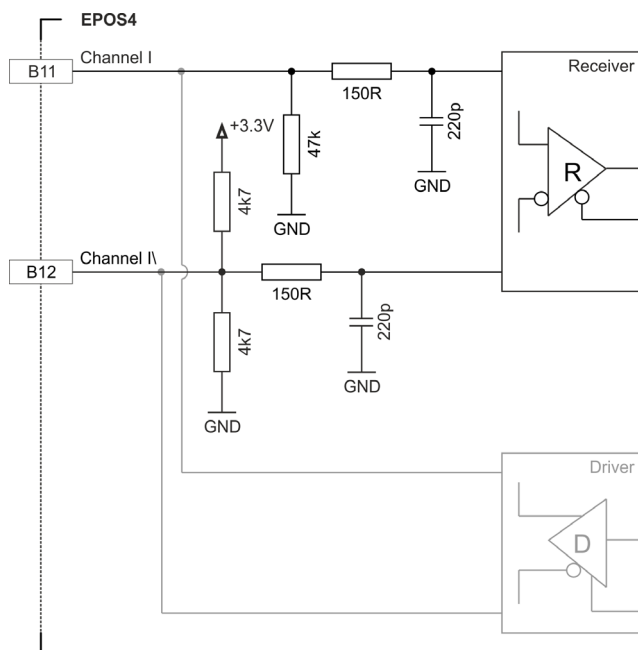


Figure 3-35 Analog incremental encoder input circuit Ch I (digital evaluation)



3.4.6.2 SSI Absolute Encoder

Module Header Pin	Compact/CB Connector Pin	Signal	Description
B11	X6   5	Clock	Clock (SSI)
B12	X6   6	Clock\	Clock (SSI) complement
B13	X6   7	Data	Data (SSI)
B14	X6   8	Data\	Data (SSI) complement
B15	X6   10	V <sub>Aux</sub>	Auxiliary output voltage (+5 VDC; I <sub>L</sub> ≤150 mA)
B16	X6   9	GND	Ground

Table 3-59 SSI absolute encoder – Pin assignment

SSI absolute encoder	
Auxiliary output voltage (V <sub>Aux</sub> )	+5 VDC
Max. auxiliary supply current	150 mA
Min. differential input voltage	±200 mV
Min. differential output voltage	±1.8 V @ external load R=54 Ω
Max. output current	40 mA
Line receiver (internal)	EIA RS422 standard
Encoder input/output frequency	0.4... 2 MHz

Table 3-60 SSI absolute encoder specification

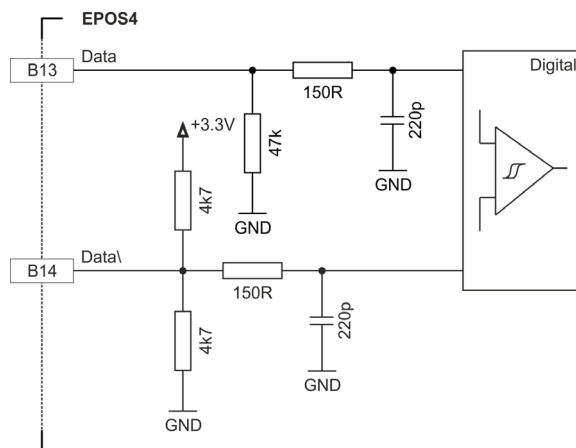


Figure 3-36 SSI absolute encoder data input

Continued on next page.

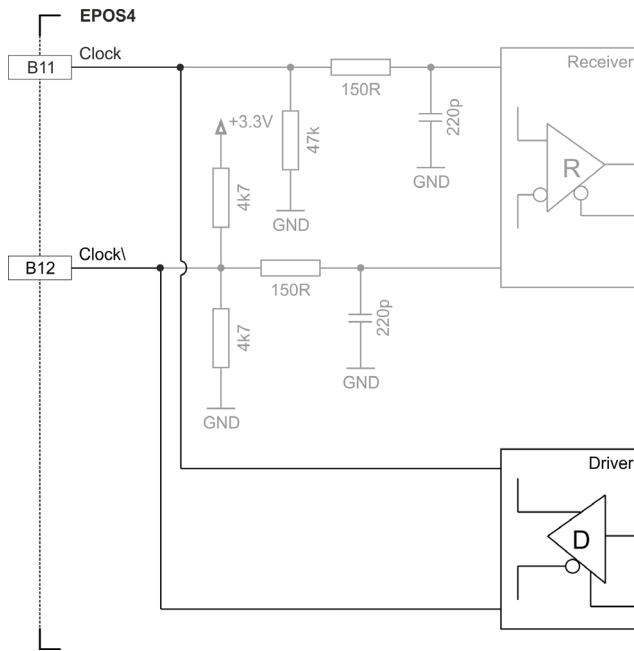


Figure 3-37 SSI absolute encoder clock output

### 3.4.6.3 High-speed Digital I/Os

Alternatively, the sensor interface can be used for high-speed digital I/O operation.

Module Header Pin	Compact/CB Connector Pin	Signal	Description
B7	X6   1	HsDigIN1	High-speed digital input 1
B8	X6   2	HsDigIN1\	High-speed digital input 1 complement
B9	X6   3	HsDigIN2	High-speed digital input 2
B10	X6   4	HsDigIN2\	High-speed digital input 2 complement
B11	X6   5	HsDigIN3	High-speed digital input 3
		HsDigOUT1	High-speed digital output 1
B12	X6   6	HsDigIN3\	High-speed digital input 3 complement
		HsDigOUT1\	High-speed digital output 1 complement
B13	X6   7	HsDigIN4	High-speed digital input 4
B14	X6   8	HsDigIN4\	High-speed digital input 4 complement
B15	X6   10	V <sub>Aux</sub>	Auxiliary output voltage (+5 VDC; I <sub>L</sub> ≤150 mA)
B16	X6   9	GND	Ground

Table 3-61 High-speed digital I/Os – Pin assignment

High-speed digital input 1...4 (differential)	
Max. input voltage	±12 VDC
Min. differential input voltage	±200 mV
Line receiver (internal)	EIA RS422 standard
Max. input frequency	6.25 MHz

Table 3-62 Differential high-speed digital input specification

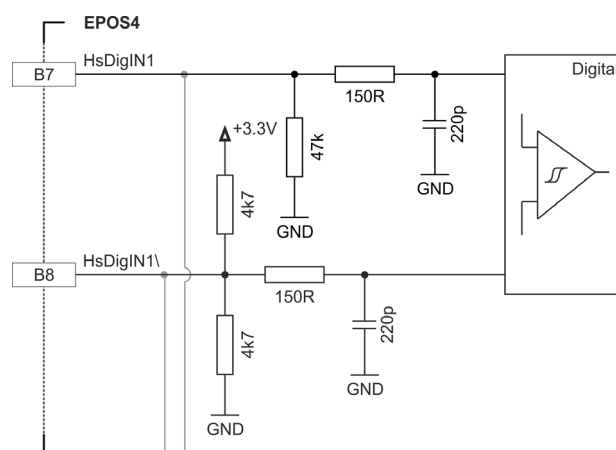


Figure 3-38 HsDigIN1 circuit “differential” (analogously valid for HsDigIN2...4)

High-speed digital input 1...4 (single-ended)	
Input voltage	0...5 VDC
Max. input voltage	±12 VDC
Logic 0	<1.0 V
Logic 1	>2.4 V
Input high current	typically 210 $\mu\text{A}$ @ +5 VDC (HsDigIN1, 2) typically 60 $\mu\text{A}$ @ +5 VDC (HsDigIN3, 4)
Input low current	typically -80 $\mu\text{A}$ @ 0 VDC (HsDigIN1, 2) typically -7 $\mu\text{A}$ @ 0 VDC (HsDigIN3, 4)
Max. input frequency	6.25 MHz

Table 3-63 Single-ended high-speed digital input specification

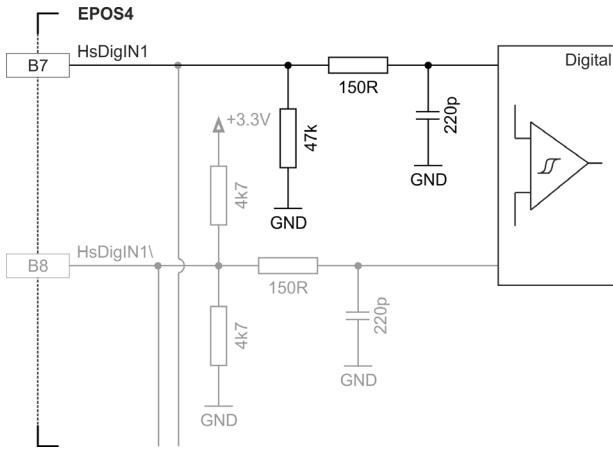


Figure 3-39 HsDigIN1 circuit “single-ended” (analogously valid for HsDigIN2...4)

High-speed digital output 1	
Min. differential output voltage	$\pm 1.8 \text{ V}$ @ external load $R=54 \Omega$
Max. output current	40 mA
Line transceiver (internal)	EIA RS422 standard
Max. output frequency	6.25 MHz

Table 3-64 High-speed digital output specification

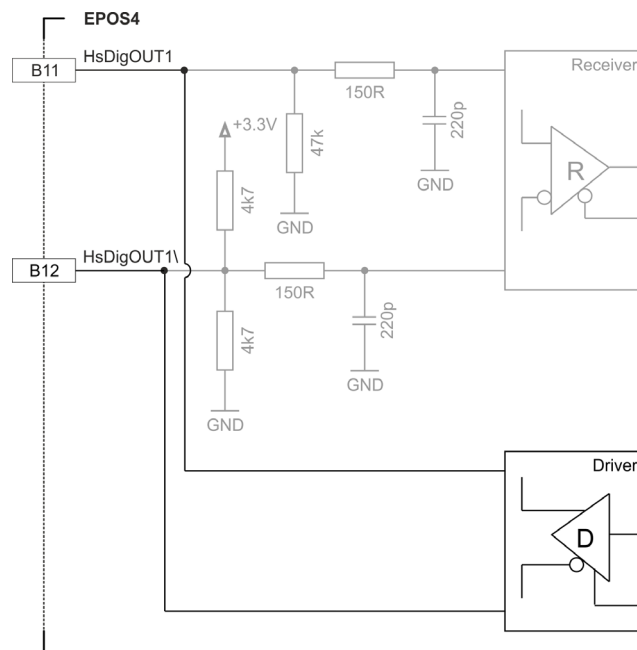


Figure 3-40 HsDigOUT1 output circuit

### 3.4.7 Digital I/Os

#### 3.4.7.1 Module

Module Header Pin	Signal	Description
B1	DigIN1	Digital input 1
B2	DigIN2	Digital input 2
B3	DigIN3	Digital input 3
B4	DigIN4	Digital input 4
B5	DigOUT1	Digital output 1
B6	DigOUT2	Digital output 2
B15	V <sub>Aux</sub>	Auxiliary output voltage (+5 VDC; I <sub>L</sub> ≤150 mA)
B16	GND	Ground

Table 3-65 Digital I/Os – Pin assignment – Module

Digital inputs 1...4 (Module)	
Input voltage	0...36 VDC
Max. input voltage	±36 VDC
Logic 0	<0.8 V
Logic 1	>2.1 V
Input resistance	typically 47 kΩ (<3.3 V) typically 37.5 kΩ (@ 5 V) typically 25.5 kΩ (@ 24 V)
Input current at logic 1	typically 135 μA @ +5 VDC
Switching delay	<300 μs

Table 3-66 Digital input specification

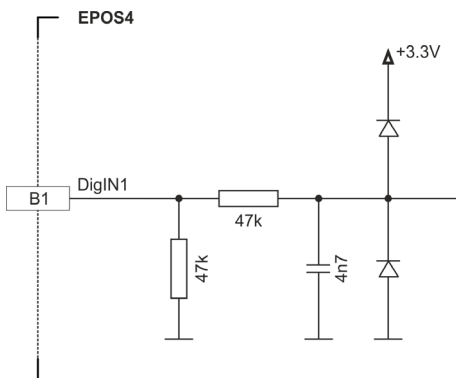


Figure 3-41 DigIN1 circuit (analogously valid for DigIN2...4) – Module

### 3.4.7.2 Compact

Compact/CB Connector Pin	Signal	Description
X7   1	DigIN1	Digital input 1
X7   2	DigIN2	Digital input 2
X7   3	DigIN3	Digital input 3
X7   4	DigIN4	Digital input 4
X7   5	DigOUT1	Digital output 1
X7   6	DigOUT2	Digital output 2
X7   7	GND	Ground
X7   8	V <sub>Aux</sub>	Auxiliary output voltage (+5 VDC; I <sub>L</sub> ≤ 150 mA)

Table 3-67 Digital I/Os – Pin assignment – Compact

Digital inputs 1...4 (Compact / Logic level setting)	
Input voltage	0...30 VDC
Max. input voltage	±30 VDC
Logic 0	<0.8 V
Logic 1	>2.0 V
Input current at logic 1	250 µA @ 5 VDC
Switching delay	<300 µs @ 5 VDC

Table 3-68 Digital input specification – Logic level setting

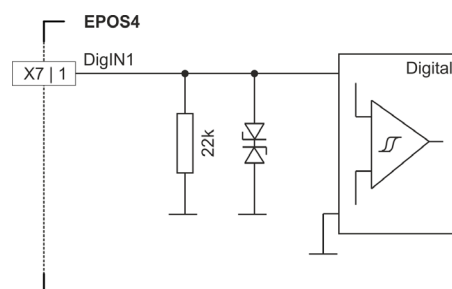


Figure 3-42 DigIN1 circuit (analogously valid for DigIN2...4) – Compact / Logic level setting

Continued on next page.

Digital inputs 1...4 (Compact / PLC level setting)	
Input voltage	0...30 VDC
Max. input voltage	±30 VDC
Logic 0	<5.5 V
Logic 1	>9 V
Input current at logic 1	>2 mA @ 9 VDC typically 3.5 mA @ 24 VDC
Switching delay	<300 μs @ 24 VDC

Table 3-69 Digital input specification – PLC level setting

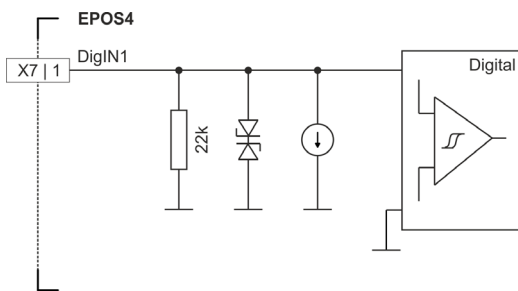


Figure 3-43 DigIN1 circuit (analogously valid for DigIN2...4) – Compact / PLC level setting

For pin assignment of digital outputs → Table 3-65 and Table 3-67.

Digital outputs 1...2	
Circuit	Open drain (internal pull-up resistor 2k2 and diode to +5.45 VDC)

Table 3-70 Digital output specification

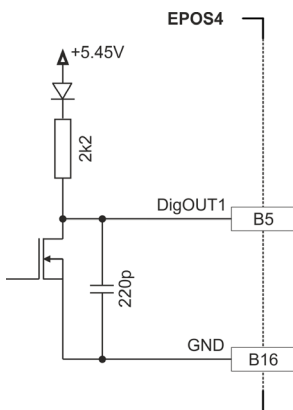


Figure 3-44 DigOUT1 circuit (analogously valid for DigOUT2 and Compact)

Continued on next page.



WIRING EXAMPLES

DigOUT "sinks"	
Max. input voltage	+36 VDC
Max. load current	500 mA
Max. voltage drop	0.5 V @ 500 mA
Max. load inductance	100 mH @ 24 VDC; 500 mA

Table 3-71 Digital output – Sinks

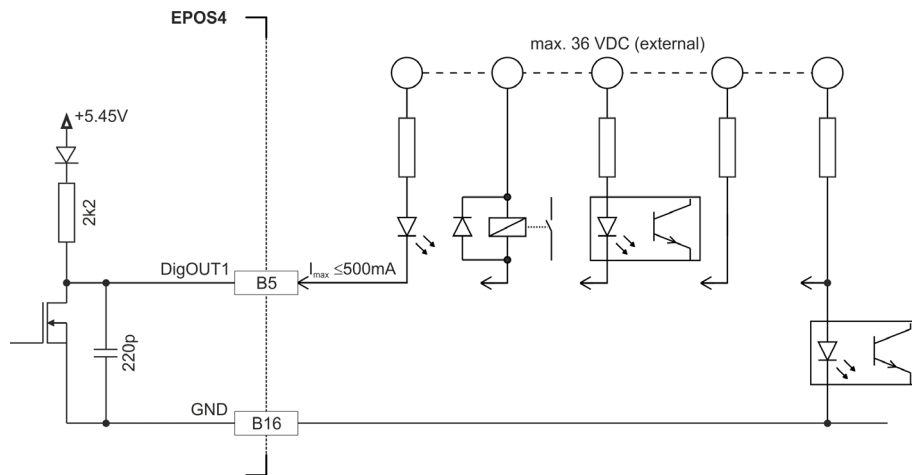


Figure 3-45 DigOUT1 "sinks" (analogously valid for DigOUT2 and Compact)

DigOUT "source"	
Output voltage	$U_{Out} = 5.45\text{ V} - 0.75\text{ V} - (I_{Load} \times 2200\ \Omega)$
Max. load current	$I_{Load} \leq 2\text{ mA}$

Table 3-72 Digital output – Source

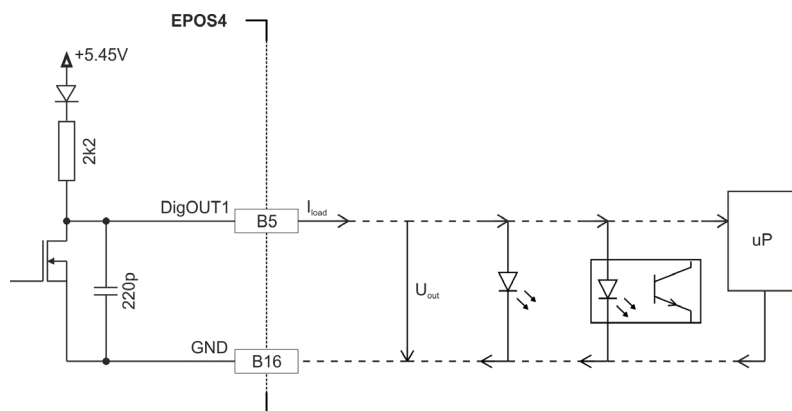


Figure 3-46 DigOUT1 "source" (analogously valid for DigOUT2 and Compact)

### 3.4.8 Safe Torque Off I/Os

The STO (Safe Torque Off) function can be utilized to bring the drive to a torque-free, safe condition via two independent inputs. The drive output power stage is switched off if either one of the inputs is not powered.

For in-depth details on the STO functionality → separate document «EPOS4 Application Notes».



#### **Non-certified STO functionality**

*The implemented STO functionality will not be certified.*



#### **Activation of power stage**

*In order to activate the power stage, **both** STO inputs must be powered.*

Module Header Pin	Compact/CB Connector Pin	Signal	Description
–	X9   8	$V_{STO}$	Activation voltage for STO inputs (+5 VDC) <b>Note:</b> Do not use this voltage for any other purpose
B15	–	$V_{Aux}$	Auxiliary output voltage (+5 VDC; $I_L \leq 150$ mA)
B16	X9   7	GND	Ground
B17	X9   1	STO-IN1+	Safe Torque Off input 1, positive signal
B18	X9   2	STO-IN1–	Safe Torque Off input 1, negative signal
B19	X9   3	STO-IN2+	Safe Torque Off input 2, positive signal
B20	X9   4	STO-IN2–	Safe Torque Off input 2, negative signal
B21	X9   5	STO-OUT+	Safe Torque Off output, positive signal
B22	X9   6	STO-OUT–	Safe Torque Off output, negative signal

Table 3-73 STO I/Os – Pin assignment

Safe Torque Off inputs 1...2	
Circuit type	Optically isolated input
Input voltage	0...+30 VDC
Max. input voltage	±30 VDC
Logic 0	<1.0 VDC
Logic 1	>4.5 VDC
Input current at logic 1	>2 mA @ 5 VDC typically 3.2 mA @ 24 VDC
Reaction time	<25 ms

Table 3-74 STO input specification

Continued on next page.

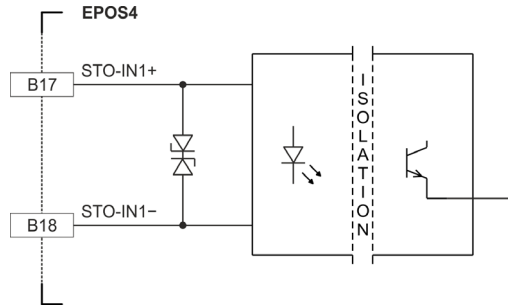


Figure 3-47 STO-IN1 circuit (analogously valid for STO-IN2)

Safe Torque Off output	
Circuit type	Optically isolated output with self-resetting short-circuit protection
Max. input voltage	±30 VDC
Max. load current	15 mA
Leakage current	<10 µA @ +30 VDC
Max. voltage drop	1.3 V @ 2 mA 2.5 V @ 15 mA

Table 3-75 STO output specification

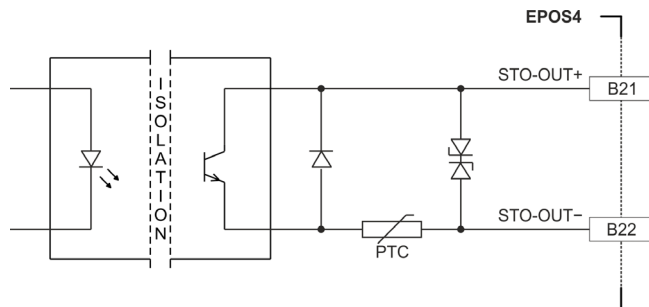


Figure 3-48 STO-OUT circuit

STO Logic State			
STO-IN1	STO-IN2	STO-OUT	Power Stage
0	0	open	inactive
1	0	closed	inactive
0	1	closed	inactive
1	1	closed	active

Table 3-76 STO logic state

### 3.4.9 Analog I/Os

Module Header Pin	Compact/CB Connector Pin	Signal	Description
B16	X8   7	GND	Ground
B23	X8   1	AnIN1+	Analog input 1, positive signal
B24	X8   2	AnIN1-	Analog input 1, negative signal
B25	X8   3	AnIN2+	Analog input 2, positive signal
B26	X8   4	AnIN2-	Analog input 2, negative signal
B27	X8   5	AnOUT1	Analog output 1
B28	X8   6	AnOUT2	Analog output 2

Table 3-77 Analog I/Os – Pin assignment

Analog inputs 1...2	
Input voltage	±10 VDC (differential)
Max. input voltage	±24 VDC
Common mode voltage	-5...+10 VDC (referenced to GND)
Input resistance	80 kΩ (differential) 65 kΩ (referenced to GND)
A/D converter	12-bit
Resolution	5.64 mV
Bandwidth	10 kHz

Table 3-78 Analog input specification

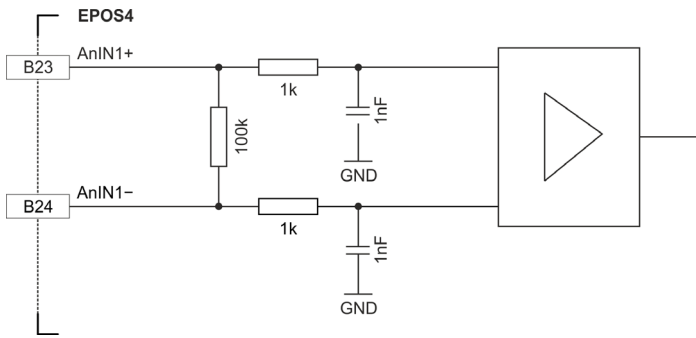


Figure 3-49 AnIN1 circuit (analogously valid for AnIN2)

Analog outputs 1...2	
Output voltage	±4 VDC
D/A converter	12-bit
Resolution	2.42 mV
Refresh rate	2.5 kHz
Analog bandwidth of output amplifier	25 kHz
Max. capacitive load	300 nF <b>Note:</b> The increase rate is limited in proportion to the capacitive load (e.g. 5 V/ms @ 300 nF)
Max. output current limit	1 mA

Table 3-79 Analog output specification

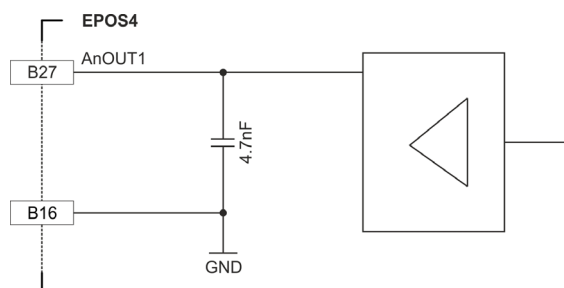


Figure 3-50 AnOUT1 circuit (analogously valid for AnOUT2)

### 3.4.10 Serial Communication Interface (SCI) / RS232

The SCI is a two-wire asynchronous serial port, commonly known as a UART. The SCI modules support digital communication between the CPU and other asynchronous peripherals that use the standard non-return-to-zero (NRZ) format.

A common use of the Module's SCI is to build an RS232 interface by wiring it to an RS232 transceiver. Alternatively, using any of the Compact versions does not require an external transceiver.



#### Bit rate settings

- Consider the master's maximal bite rate.
- The standard bit rate setting (factory setting) is 115'200 bit/s.

#### 3.4.10.1 Module

Module Header Pin	Signal	Description
B38	GND	Ground
B39 <sup>(6)</sup>	DSP_RxD	Serial communication interface receive (UART)
B40	DSP_TxD	Serial communication interface transmit (UART)
(6) connect to sensor supply voltage $V_{\text{Sensor}}$ (A40) when RS232 is not in use		

Table 3-80 SCI – Pin assignment

Serial Communication Interface (SCI)	
Input voltage	0...3.3 VDC
Max. input voltage	5 VDC
High-level input voltage	>2.0 VDC
Low-level input voltage	<0.8 VDC
High-level output voltage	>2.4 VDC
Low-level output voltage	<0.4 VDC
Series resistance (both lines)	10 k $\Omega$
Max. bit rate	115'200 bit/s
Data format	NRZ (non-return-to-zero)

Table 3-81 SCI specification

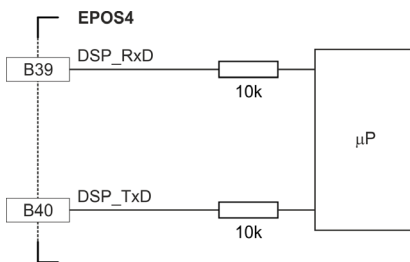


Figure 3-51 SCI circuit

**3.4.10.2 Compact CAN**

Compact/CB Connector Pin	Signal	Description
X10   1	EPOS_RxD	EPOS RS232 receive
X10   2	GND	Ground
X10   3	EPOS_TxD	EPOS RS232 transmit
X10   4	GND	Ground
X10   5	Shield	Cable shield

Table 3-82 RS232 – Pin assignment

RS232 Interface	
Max. input voltage	±30 VDC
Output voltage	typically ±9 V @ 3 kΩ to GND
Max. bit rate	115'200 bit/s
RS232 transceiver	EIA RS232 standard

Table 3-83 RS232 interface specification

### 3.4.11 CAN Interface / ID Setting

#### 3.4.11.1 Connection

The EPOS4 is specially designed being commanded and controlled via a Controller Area Network (CAN), a highly efficient data bus very common in all fields of automation and motion control. It is preferably used as a slave node in the CANopen network.

Module Header Pin	Compact/CB Connector Pin	Signal	Description
B35	X11   1 X12   1	CAN high	CAN high bus line
B36	X11   2 X12   2	CAN low	CAN low bus line
B37	X11   3 X12   3	GND	Ground
–	X11   4 X12   4	Shield	Cable shield

Table 3-84 CAN bus line / CAN 1 / CAN 2 – Pin assignment

CAN interface		
Standard	ISO 11898-2:2003	
Max. bit rate	1 Mbit/s	
Max. number of CAN nodes	127/31 (via software/hardware setting)	
Protocol	CiA 301 version 4.2.0	
Node-ID setting	Module	By external wiring or software
	Compact CAN	By DIP switch or software

Table 3-85 CAN interface specification



**Note**

- Consider the CAN master's maximal bit rate.
- The standard bit rate setting (factory setting) is 1 Mbit/s. For connector boards and Compact CAN versions, automatic bit rate detection is set.
- Use 120 Ω termination resistor at both ends of the CAN bus.
- For detailed CAN information → separate document «EPOS4 Communication Guide».



3.4.11.2 Configuration



**Setting the ID is currently available for CAN only!**

The device’s identification (subsequently called “ID”) can be set by different means:

- For configuration on **Compact** versions → “DIP Switch Configuration (SW1)” on page 3-41.
- For configuration on **Module** versions, the ID is set using the input lines ID1...ID5. The ID (1...31) may be coded using binary code.

Module Header Pin	Signal	Description	Binary Code	Valence
B29	ID 1	CAN ID / DEV ID 1	2 <sup>0</sup>	1
B30	ID 2	CAN ID / DEV ID 2	2 <sup>1</sup>	2
B31	ID 3	CAN ID / DEV ID 3	2 <sup>2</sup>	4
B32	ID 4	CAN ID / DEV ID 4	2 <sup>3</sup>	8
B33	ID 5	CAN ID / DEV ID 5	2 <sup>4</sup>	16
B37	GND	Ground		

Table 3-86 ID – Pin assignment

CAN ID / DEV ID	
Max. input voltage	3.3 VDC
Logic 1	connected to GND
Logic 0	not connected

Table 3-87 CAN ID / DEV ID specification



**Important**

*The internal circuit of the ID pins (B29...B33) is based on an analog voltage measurement. Ensure a proper ground connection (0.0 V) when Logic 1 state is intended and a high impedance for Logic 0 state.*

Continued on next page.

The set ID can be observed by adding the valences of all inputs connected externally to GND. Use the following table as a (non-concluding) guide:

CAN ID / DEV ID					ID
1	2	3	4	5	
0*	0	0	0	0	–
1**	0	0	0	0	1
0	1	0	0	0	2
0	0	1	0	0	4
1	0	1	0	0	5
0	0	0	1	0	8
0	0	0	0	1	16
1	1	1	1	1	31

0\* = ID input line not connected      1\*\* = ID input line externally connected to GND

Table 3-88 ID – Examples



**Setting the ID by means of «EPOS Studio»**

- The ID may be set by software (changing object 0x2000 «Node-ID», range 1...127).
- The ID set by software is valid if the ID is set to “0” (none of the ID input lines connected).

**CAN AUTOMATIC BIT RATE DETECTION**

With this function, the CANopen interface can be put in a “listen only” mode. For further details → separate document «EPOS4 Firmware Specification». Automatic bit rate detection is activated when the input line is externally connected to GND.

Bit rate detection	
Auto Bit Rate GND	Pin B34 Pin B38
Max. input voltage	3.3 VDC
Logic 1	connected to GND
Logic 0	not connected

Table 3-89 Bit rate detection specification

### 3.4.12 Serial Peripheral Interface (SPI)

The SPI is a high-speed synchronous serial input/output port allowing the use of optional maxon extension modules.

**Note**

*Do not connect any other signals to the SPI apart from those for the maxon extension modules!*

Module Header Pin	Signal	Description
B38	GND	Ground
B41	SPI_CLK	Serial Peripheral Interface clock
B42	SPI_IRQ	Serial Peripheral Interface interrupt request
B43	SPI_SOMI	Serial Peripheral Interface Slave output, Master input
B44	SPI_SIMO	Serial Peripheral Interface Slave input, Master output
B45	SPI_CS2	Serial Peripheral Interface chip select 2
B46	SPI_CS1	Serial Peripheral Interface chip select 1

Table 3-90 SPI – Pin assignment

**3.4.13 USB (X13)**



**Hot plugging the USB interface may cause hardware damage**

If the USB interface is being hot-plugged (connecting while the power supply is on), the possibly high potential differences of the two power supplies of controller and PC/Notebook can lead to damaged hardware.

- Avoid potential differences between the power supply of controller and PC/Notebook or, if possible, balance them.
- Insert the USB connector first, then switch on the power supply of the controller.

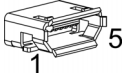


Figure 3-52 USB connector X13

Compact/CB Connector Pin	PC's USB Terminal	Signal	Description
X13   1	1	V <sub>BUS</sub>	USB bus supply voltage input +5 VDC
X13   2	2	USB_D-	USB Data- (twisted pair with Data+)
X13   3	3	USB_D+	USB Data+ (twisted pair with Data-)
X13   4	–	ID	not connected
X13   5	4	GND	USB ground

Table 3-91 USB connector X13 – Pin assignment

USB Type A - micro B Cable (403968)	
Cross-section	According to USB 2.0 / USB 3.0 specification
Length	1.5 m
Head A	USB Type “micro B”, male
Head B	USB Type “A”, male

Table 3-92 USB Type A - micro B Cable

USB	
USB Standard	USB 2.0 / USB 3.0 (full speed)
Max. bus supply voltage	+5.25 VDC
Max. DC data input voltage	-0.5...+3.8 VDC

Table 3-93 USB interface specification

### 3.5 Status Indicators

The EPOS4 features three sets of LED indicators to display the device condition.

- A NET Status;** the LEDs display communication RUN states and errors conditions
- B Device Status;** the LEDs display the device’s operation status and error conditions
- C EtherCAT Port;** the LED displays the NET link activity

For detailed information → separate document «EPOS4 Firmware Specification».

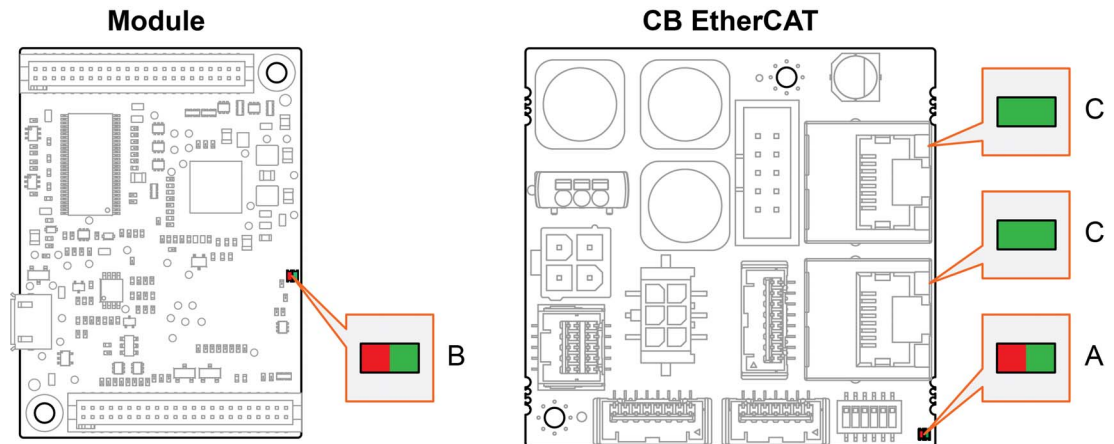


Figure 3-53 LEDs – Location

#### 3.5.1 NET Status

The LEDs (→ Figure 3-53; **A**) display the actual status and possible errors of the EPOS4 in respect to the NET network:

- Green LED shows the RUN state
- Red LED indicates errors

LED		Description
Green	Red	
OFF	—	EPOS4 is in state INIT
Blink	—	EPOS4 is in state PRE-OPERATIONAL
Single flash	—	EPOS4 is in state SAFE-OPERATIONAL
ON	—	EPOS4 is in state OPERATIONAL
Flicker	—	EPOS4 is in state BOOTSTRAP
—	OFF	EPOS4 is in operating condition
—	Double flash	An application watchdog timeout has occurred <i>Example: Timeout of Sync Manager Watchdog</i>
—	Single flash	EPOS4 has changed the COM state due to an internal error <i>Example: Change of state “Op” to “SafeOpError” due to Sync Error</i>
—	Blink	General Configuration Error <i>Example: State change commanded by master is not possible due to actual settings (register, object, hardware configuration)</i>

Blink = continuous blinking (≈2.5 Hz)  
Flash = flashing (≈0.2 s), followed by pause of 1 s  
Flicker = continuous flickering (≈10Hz)

Table 3-94 NET Status LEDs

### 3.5.2 Device Status

The LEDs (→Figure 3-53; **B**) display the actual status and possible errors of the EPOS4:

- Green LED shows the status
- Red LED indicates errors

LED		Description
Green	Red	
Slow	OFF	Power stage is disabled. The EPOS4 is in status... • “Switch ON Disabled” • “Ready to Switch ON” • “Switched ON”
ON	OFF	Power stage is enabled. The EPOS4 is in status... • “Operation Enable” • “Quick Stop Active”
OFF	ON	FAULT state. The EPOS4 is in status... • “Fault”
ON	ON	Power stage is enabled. The EPOS4 is in temporary status... • “Fault Reaction Active”
Flash	ON	No valid firmware or firmware download in progress
Flash = flashing (≈0.9 s OFF/≈0.1 s ON) Slow = slow blinking (≈1 Hz)		

Table 3-95 Device Status LEDs

### 3.5.3 EtherCAT Port

The LED (→Figure 3-53; **C**) displays the link activity of the EtherCAT port (applies for both ports, X14 “IN” and X15 “OUT”):

- Green LED indicates link activity

LED	Description
Green	
OFF	Port is closed
Flicker	Port is open / activity is present
ON	Port is open
—	Data rate is 100 Mbit/s
Flicker = continuous flickering (≈10 Hz)	

Table 3-96 EtherCAT Port LED

## 4 MOTHERBOARD DESIGN GUIDE

The «Motherboard Design Guide» provides helpful information on integrating the Module on a printed circuit board. It contains recommendations for the motherboard layout and specifies external components that may be required, pin assignments, and connection examples.



### CAUTION

#### ***Dangerous Action***

#### ***Errors in implementing the design can result in serious Injury!***

- *Only proceed if you are skilled in electronics design!*
- *Designing a printed circuit board requires special skills and knowledge and may only be performed by experienced electronic developers!*
- *This quick guide is only intended as an aid, does not make any claim to completeness, and will not automatically result in a functional component!*



#### **Get help**

*If you are not trained in the design and development of printed circuit boards, you will need additional support for this point.  
maxon will be happy to provide you with a quote for designing and manufacturing a motherboard for your specific application.*

## 4.1 Requirements for Components of Third-party Suppliers



### Best practice

For references and recommended components consult → Table 4-97.

#### 4.1.1 Socket Headers

For implementation of the Module, 1.27 mm box headers are required.

#### 4.1.2 Supply Voltage

To protect the Module, we recommend using an external circuit breaker, a TVS diode, and a capacitor in the voltage supply cable. In this regard, please note the following recommendations:

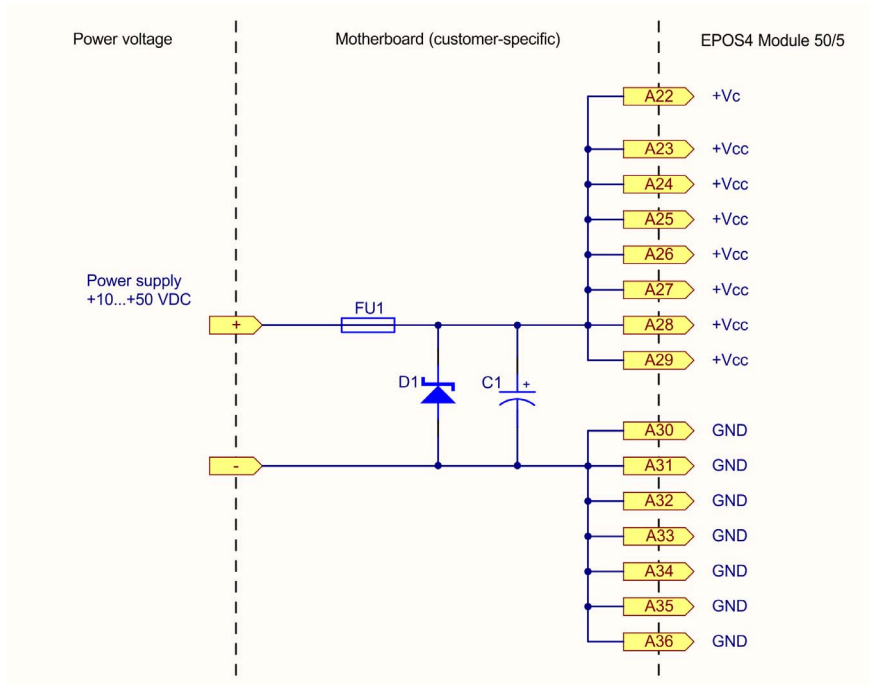


Figure 4-54 Wiring of power supply

#### INPUT FUSE (FU1)

An input fuse (FU1) is necessary in order to provide reverse polarity protection. Together with an unipolar TVS diode (D1), this prevents current from flowing in the wrong direction.

#### TVS DIODE (D1)

To protect against overvoltage resulting from voltage transients or brake energy feedback, we recommend connecting a TVS (transient voltage suppressor) diode (D1) to the voltage supply line.

#### CAPACITOR (C1)

The function of the Module does not necessarily require the use of an external capacitor. Nevertheless, to further reduce voltage ripple and feedback currents, an electrolytic capacitor (C1) can be connected to the voltage supply line. Use of an electrolytic capacitor is also recommended to avoid oscillations caused by supply cable inductance or the Module's built-in capacitors that could lead to a voltage overshoot at power plug-in.



### 4.1.3 Logic Supply Voltage

The Module features a logic supply voltage input. Its voltage range is 10...50 V and must be either sourced separately or by the power supply voltage.

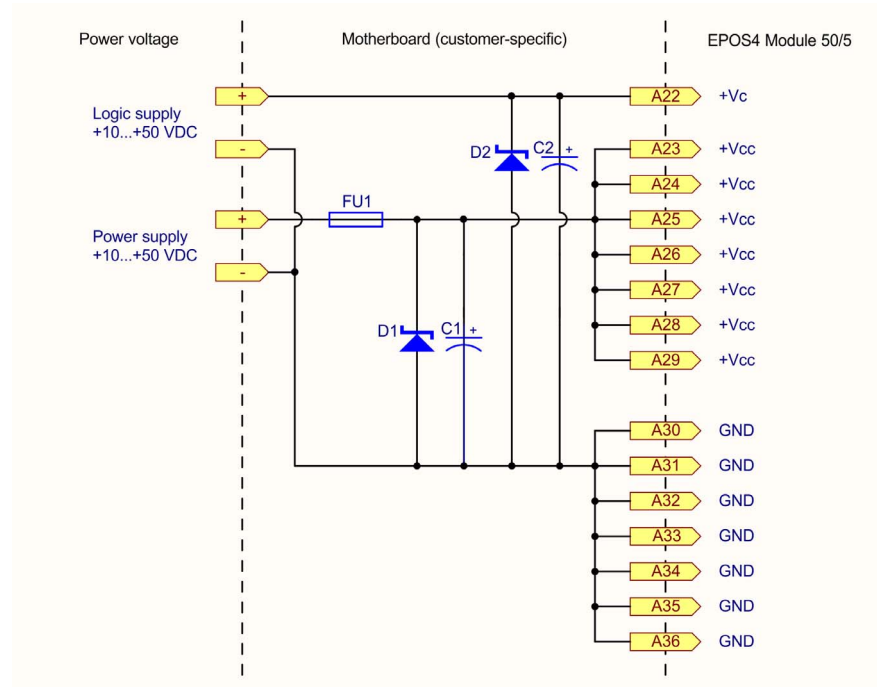


Figure 4-55 Wiring of logic supply

#### TVS DIODE (D2)

If the logic supply voltage is sourced separately, a transient voltage suppressor diode (D2) at the logic supply voltage input can be connected to protect the module against overvoltage.

#### CAPACITOR (C2)

Use an electrolytic capacitor (C2) if the logic supply is sourced separately. This will avoid oscillations caused by supply cable inductance or the Module's built-in capacitors that could lead to a voltage overshoot at power plug-in.

#### 4.1.4 Motor Cables and Motor Chokes

The Module is not equipped with internal motor chokes.

The majority of motors and applications do not require additional chokes. However, in case of high supply voltage with very low terminal inductance, the ripple of the motor current can reach an unacceptably high value. This causes the motor to heat up unnecessarily and causes instable control behavior. The minimum terminal inductance required per phase can be calculated using the following formula:

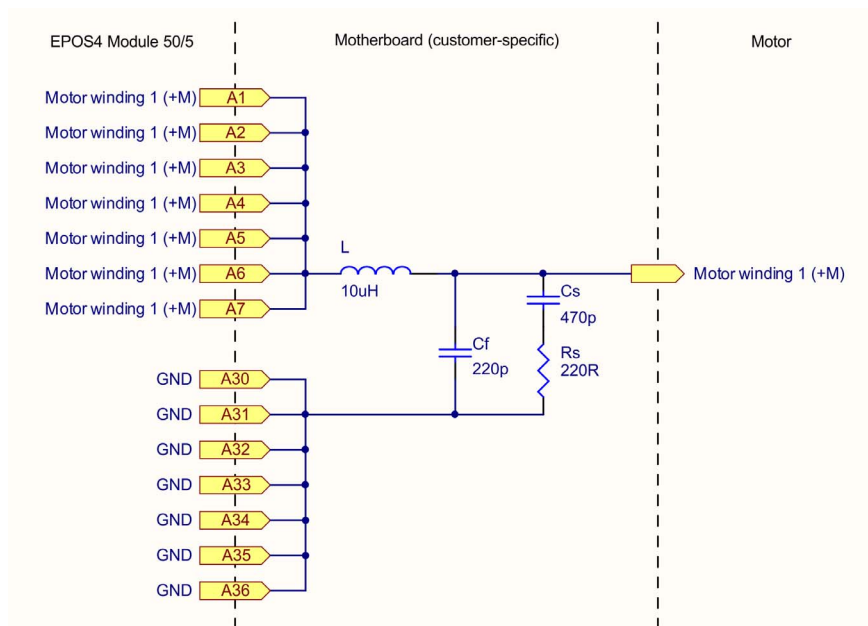
$$L_{Phase} \geq \frac{1}{2} \cdot \left( \frac{V_{CC}}{6 \cdot f_{PWM} \cdot I_N} - (0.3 \cdot L_{Motor}) \right)$$

$L_{Phase}[H]$	Additional external inductance per phase
$V_{CC}[V]$	Operating voltage +V <sub>CC</sub>
$f_{PWM}[Hz]$	Switching frequency of the power stage = 50'000 Hz
$I_N[A]$	Nominal current of the motor (→line 6 in the maxon catalog)
$L_{Motor}[H]$	Terminal inductance of the motor (→line 11 in the maxon catalog)

If the result of the calculation is negative, no additional chokes are necessary. Nevertheless, the use of chokes in combination with additional filter components can be useful to reduce the emission of electromagnetic interference.

An additional choke must feature electromagnetic shielding, an adequate saturation current, minimal losses, and a nominal current greater than the continuous current of the motor. The below wiring example refers to an additional inductance of 2.2 μH or 10 μH. If a different additional inductance is required, also the filter components must be adapted accordingly. Should you need further help with the filter design, contact maxon Support at →<http://support.maxongroup.com>.

#### Example 1



Continued on next page.

**Example 2**

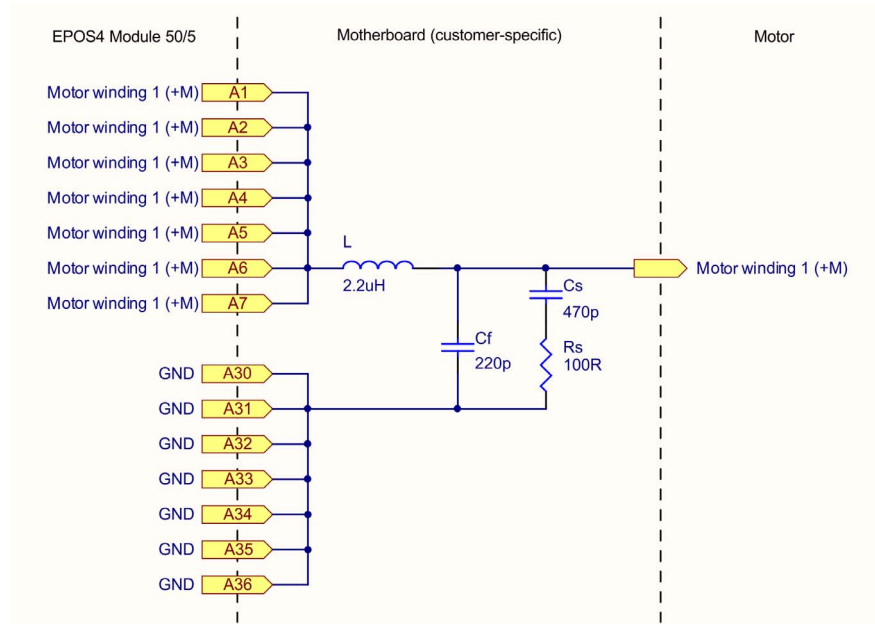


Figure 4-56 Wiring of motor winding 1 (analogously valid also for motor windings 2 & 3)

**4.1.5 RS232 Transceiver**

If you intend to use an RS232 interface, an external transceiver is necessary.

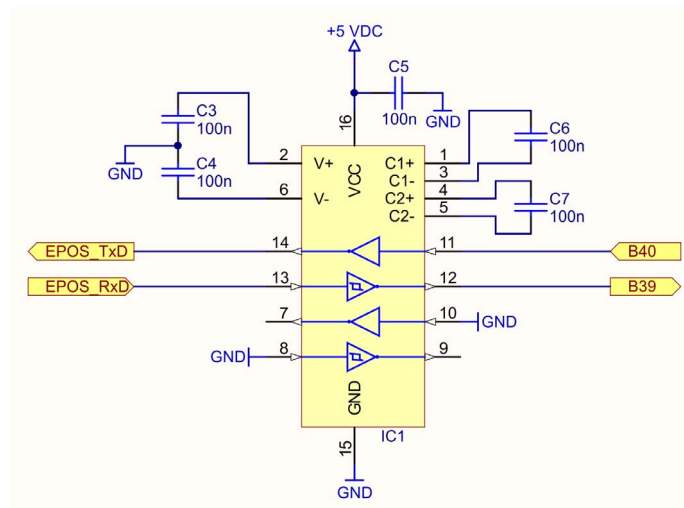


Figure 4-57 Wiring of RS232 transceiver



**IMPORTANT**

If you do not intend to use the RS232 interface, you must connect pin [B39] (DSP\_RxD) with pin [A40] (sensor supply voltage  $V_{Sensor}$ )!

#### 4.1.6 Recommended Components and Manufacturers

Recommended components	
<b>Socket header</b>	<p>Dual row socket strip, pluggable, 1.27 mm pitch, contact length 2.9 mm, current rating per pin = <math>I_{cont} / 1 A</math></p> <p><b>23 poles, 2 rows:</b></p> <ul style="list-style-type: none"> <li>maxon (590738)</li> <li>E-Tec (BS2-046-H45B-55/11)</li> <li>Confectronic / Elcotron (2243-A46G00DPT-M/U842)</li> </ul>
<b>Fuse (FU1)</b>	<ul style="list-style-type: none"> <li>Littelfuse 157 Series, Fuse 10 A, 26.46 A<sup>2</sup>sec (0157010)</li> </ul>
<b>TVS Diode (D1; D2)</b>	<ul style="list-style-type: none"> <li>Vishay (SMBJ54A) <math>U_R = 54 V, U_{BR} = 60.0...66.3 V @ 1 mA, U_C = 87.1 V @ 6.9 A</math></li> <li>Fairchild (SMBJ54A) <math>U_R = 54 V, U_{BR} = 60.0...66.6 V @ 1 mA, U_C = 87.1 V @ 6.9 A</math></li> <li>Littelfuse (SMBJ54A) <math>U_R = 54 V, U_{BR} = 60.0...66.6 V @ 1 mA, U_C = 87.1 V @ 6.9 A</math></li> </ul>
<b>Capacitor (C1)</b>	<p>The ripple current load for C1 depends on the motor's operating point and the power supply output capacity. Under worst case conditions however, the ripple current may reach <math>I_{cont} / 2</math>. Use capacitors with rated voltage <math>\geq 63 V</math> and adequate ripple current to avoid overheat or life time reduction.</p> <p><b>Example for C1 worst-case dimensioning:</b>  <math>I_{cont} = 5 A \rightarrow</math> Rubycon (63YXJ470M12.5X25); 470 <math>\mu F</math>, 63 V, 1990 mA r.m.s.</p>
<b>Capacitor (C2)</b>	<p>To avoid voltage overshoot at power plug-in with a separately sourced logic supply, use an electrolytic capacitor covering the following requirements: 33 <math>\mu F</math> or 47 <math>\mu F</math>, 63 V, at least 265 mA r.m.s.</p> <ul style="list-style-type: none"> <li>Rubicon (63ZLH47MEFCTA6.3X11) or (63YXJ47M6.3X11)</li> <li>Panasonic (EEU-FR1J470B)</li> <li>Nippon Chemicon (EKYB630ELL330MF11D) or (EKY-630 ELL330MF11D)</li> </ul>
<b>Motor Choke (L)</b>	<p>Inductance: <math>\rightarrow</math> "Motor Cables and Motor Chokes" on page 4-82            Rated current: <math>I_{rms} \geq I_{cont}; I_{sat} \geq I_{peak}</math>            Construction: shielded</p> <p><b>10 <math>\mu H</math>:</b></p> <ul style="list-style-type: none"> <li>Würth (WE-PD-XXL / 7447709100) <math>I_{rms} 7.1 A, I_{sat} 10.5 A, 12 x 12 x 10 mm</math></li> </ul> <p><b>2.2 <math>\mu H</math>:</b></p> <ul style="list-style-type: none"> <li>Bourns (SRP7028A-2R2M) <math>I_{rms} 8 A, I_{sat} 14 A, 7.3 x 6.6 x 2.8 mm</math></li> <li>Eaton (HCM0703-2R2-R) <math>I_{rms} 8 A, I_{sat} 14 A, 7.1 x 6.6 x 3 mm</math></li> <li>Würth (744311220) <math>I_{rms} 9 A, I_{sat} 13 A, 7 x 6.9 x 3.8 mm</math></li> </ul>
<b>Motor Filter</b>	<p><b>Example 1</b></p> <ul style="list-style-type: none"> <li>Motor Choke L 10 <math>\mu H</math></li> <li>Filter Capacitor Cf 220 pF, 100 V</li> <li>Snubber Capacitor Cs 470 pF, 100 V</li> <li>Snubber Resistor Rs 220 <math>\Omega</math>, 0.25 W</li> </ul> <p><b>Example 2</b></p> <ul style="list-style-type: none"> <li>Motor Choke L 2.2 <math>\mu H</math></li> <li>Filter Capacitor Cf 220 pF, 100 V</li> <li>Snubber Capacitor Cs 470 pF, 100 V</li> <li>Snubber Resistor Rs 100 <math>\Omega</math>, 0.25 W</li> </ul>
<b>RS232 (IC1) (C3...C7)</b>	<p><b>RS232 transceiver (IC1)</b></p> <ul style="list-style-type: none"> <li>Texas Instruments (MAX202IPW)</li> <li>ST Microelectronics (ST202EBTR)</li> </ul> <p><b>Capacitors (C3...C7)</b></p> <ul style="list-style-type: none"> <li>100 nF, X7R, 16 V</li> </ul>

Table 4-97 Motherboard Design Guide – Recommended components

## 4.2 Design Guidelines

The following instructions are intended to serve as an aid when designing an application-specific motherboard and ensures the correct and reliable integration of the Module.

While designing a motherboard, consider the following characteristics of the Module:

- Pin assignment (→page 3-22)
- Technical data (→page 2-11) and dimensional drawing (→page 2-16)

### 4.2.1 Ground

All ground connections (GND) should be internally connected to the Module (equal potential). It is customary to equip the motherboard with a ground plane. All ground connections should be connected to the voltage supply ground via wide conductive tracks.

Pin	Signal	Description
A30...A36	GND	Ground
B16	GND	Ground
B37...B38	GND	Ground

Table 4-98 Motherboard Design Guide – Grounding

If an earth potential is in place or required, the ground plane should be connected to the earth potential via one or more capacitors. The use of ceramic capacitors with 100 nF and 100 V is recommended.

### 4.2.2 Layout

Guidelines for the layout of the motherboard:

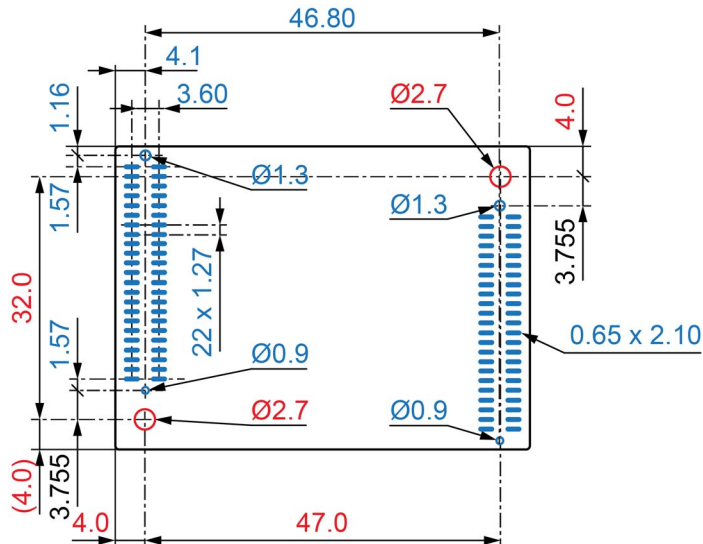
- Connector pins [A23], [A24], [A25], [A26], [A27], [A28], and [A29] for +V<sub>CC</sub> (nominal power supply voltage) should be connected to the fuse via wide conductive tracks.
- Connector pins [A30], [A31], [A32], [A33], [A34], [A35], [A36], [B16], [B37], and [B38] for GND (ground) should be connected with the operating voltage ground via wide conductive tracks.
- Connector pin [B39] (DSP\_RxD) must be connected to [A40] (sensor supply voltage; V<sub>Sensor</sub>) when RS232 is not in use.
- The width of the conductive tracks and the copper coating thickness of the conductors for supply voltage and motor depend on the current required in your application. A minimum track width of 75 mil and a minimum copper coating thickness of 35 μm are recommended.

### 4.3 SMT Footprint



#### **Possible dimensional differences in STEP files**

For conversion reasons, the below stated dimensions may slightly differ from the dimensions specified in the downloadable STEP file. Use only the below stated dimensions for your design.



## 5 WIRING

In this section you will find the wiring information for the setup you are using. You can either use the consolidated wiring diagrams (→Figure 5-60 and Figure 5-61) featuring the full scope of interconnectivity and pin assignment. Or you may wish to use the connection overviews for either DC motor or EC (BLDC) motor that will assist you in determining the wiring for your particular motor type and the appropriate feedback signals

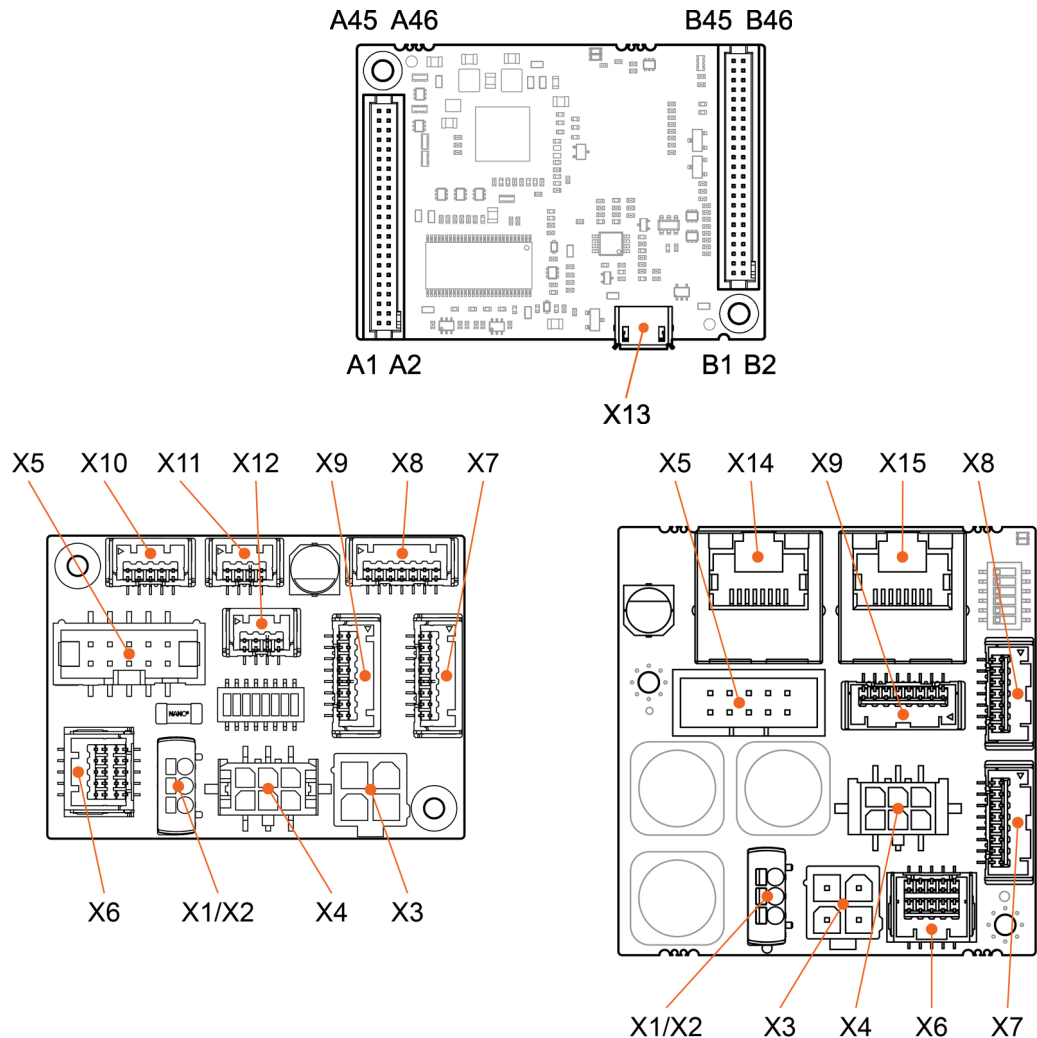
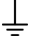


Figure 5-59 Interfaces – Designations and location



### Signs and abbreviations used

The subsequent diagrams feature these signs and abbreviations:

- «EC Motor» stands for brushless EC motor (BLDC).
-  Ground safety earth connection (optional).

## 5.1 Possible Combinations to connect a Motor

The following tables show feasible ways on how to connect the motor with its respective feedback signals or possible combinations thereof. To find the wiring that best suits your setup, proceed as follows:

- 1) Decide on the type of motor you are using; either DC or EC (BLDC) motor.
- 2) Connect the power supply and the logic supply by following the link to the stated figure.
- 3) Check-out the listing for the combination that best suits your setup. Pick the wiring method # and go to the respective table; for DC motor → Table 5-99, for EC (BLDC) motor → Table 5-100.
- 4) Pick the row with the corresponding wiring method # and follow the link (or links) to the stated figure(s) to find the relevant wiring information.

### 5.1.1 DC Motor

**Power supply** & optional logic supply . . . . . Figure 5-62

**Motor & feedback signals**

Without sensor . . . . . Method # DC1  
 Digital incremental encoder . . . . . Method # DC2 or DC3  
 Analog incremental encoder SinCos . . . . . Method # DC4  
 SSI absolute encoder. . . . . Method # DC5  
 Digital incremental encoder & Digital incremental encoder . . . . . Method # DC6  
 Digital incremental encoder & Analog incremental encoder SinCos . . . . . Method # DC7  
 Digital incremental encoder & SSI absolute encoder. . . . . Method # DC8

Method #	Digital Incremental Encoder 1 (Sensor 1) X5	Digital Incremental Encoder 2 (Sensor 2) X6	Analog Incremental Encoder (Sensor 2) X6	SSI Absolute Encoder (Sensor 2) X6	→ Figure(s)
DC1					5-63
DC2	✓				5-63 5-66
DC3		✓			5-63 5-67
DC4			✓		5-63 5-68
DC5				✓	5-63 5-69
DC6	✓	✓			5-63 5-66 / 5-67
DC7	✓		✓		5-63 5-66 / 5-68
DC8	✓			✓	5-63 5-66 / 5-69

Table 5-99 Possible combinations of feedback signals for DC motor



**5.1.2 EC (BLDC) Motor**

**Power supply & optional logic supply** ..... Figure 5-62

**Motor & feedback signals**

Hall sensors ..... Method # EC1

Hall sensors & Digital incremental encoder ..... Method # EC2 or EC3

Hall sensors & Analog incremental encoder SinCos ..... Method # EC4

Hall sensors & SSI absolute encoder ..... Method # EC5

Hall sensors & Digital incremental encoder & Digital incremental encoder ..... Method # EC6

Hall sensors & Digital incremental encoder & Analog incremental encoder SinCos ..... Method # EC7

Hall sensors & Digital encoder & SSI absolute encoder ..... Method # EC8

Digital incremental encoder & SSI absolute encoder ..... Method # EC9

SSI absolute encoder ..... Method # EC10

Method #	Hall sensors (Sensor 3) X4	Digital Incremental Encoder 1 (Sensor 1) X5	Digital Incremental Encoder 2 (Sensor 2) X6	Analog Incremental Encoder (Sensor 2) X6	SSI Absolute Encoder (Sensor 2) X6	➔ Figure(s)
EC1	✓					5-64 5-65
EC2	✓	✓				5-64 5-65 / 5-66
EC3	✓		✓			5-64 5-65 / 5-67
EC4	✓			✓		5-64 5-65 / 5-68
EC5	✓				✓	5-64 5-65 / 5-69
EC6	✓	✓	✓			5-64 5-65 / 5-66 / 5-67
EC7	✓	✓		✓		5-64 5-65 / 5-66 / 5-68
EC8	✓	✓			✓	5-64 5-65 / 5-66 / 5-69
EC9		✓			✓	5-64 5-66 / 5-69
EC10					✓	5-64 5-69

Table 5-100 Possible combinations of feedback signals for EC (BLDC) motor

## 5.2 Main Wiring Diagrams

### 5.2.1 Module & Compact CAN

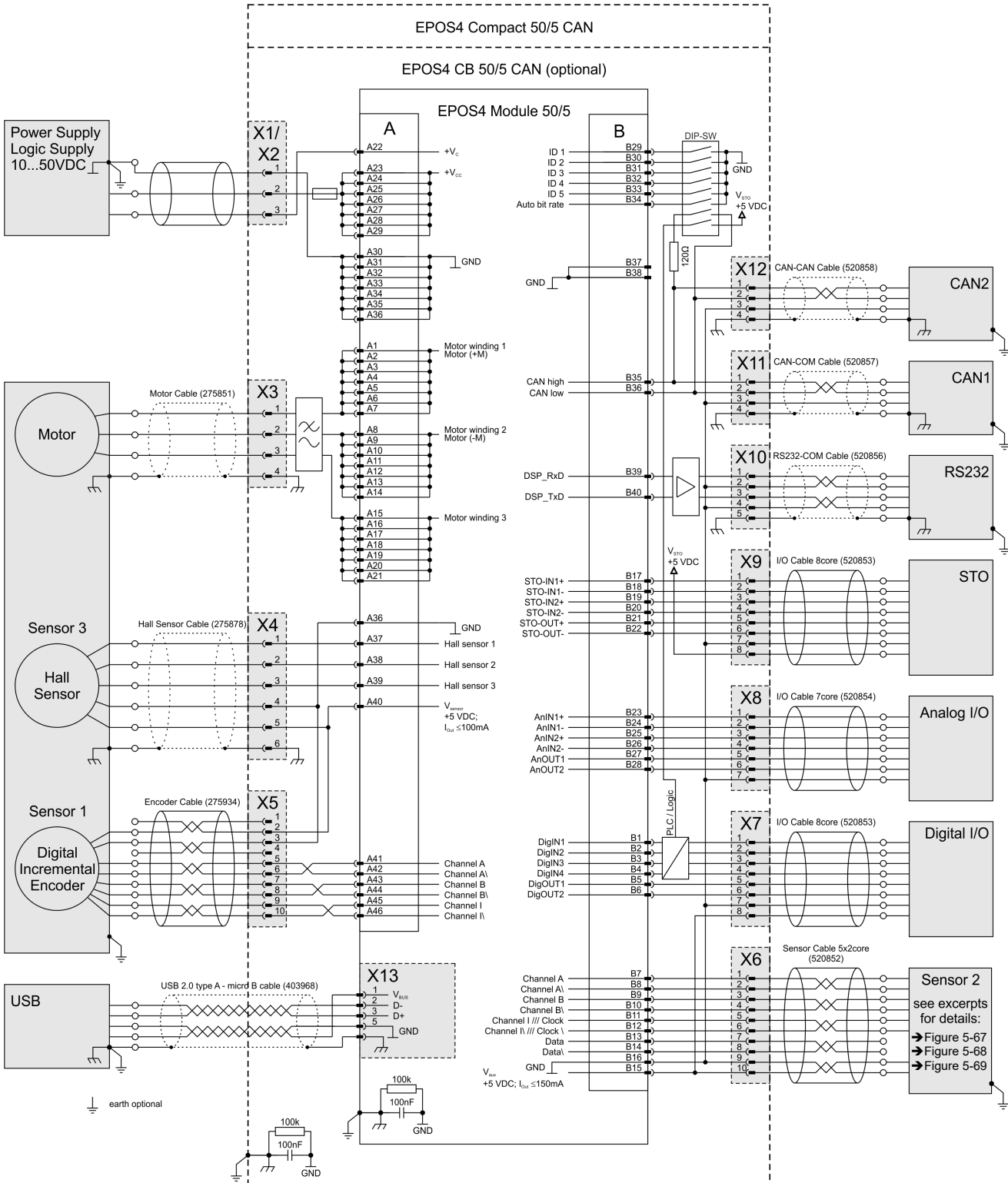


Figure 5-60 Main wiring diagram – Module & Compact CAN

5.2.2 Module & Compact EtherCAT

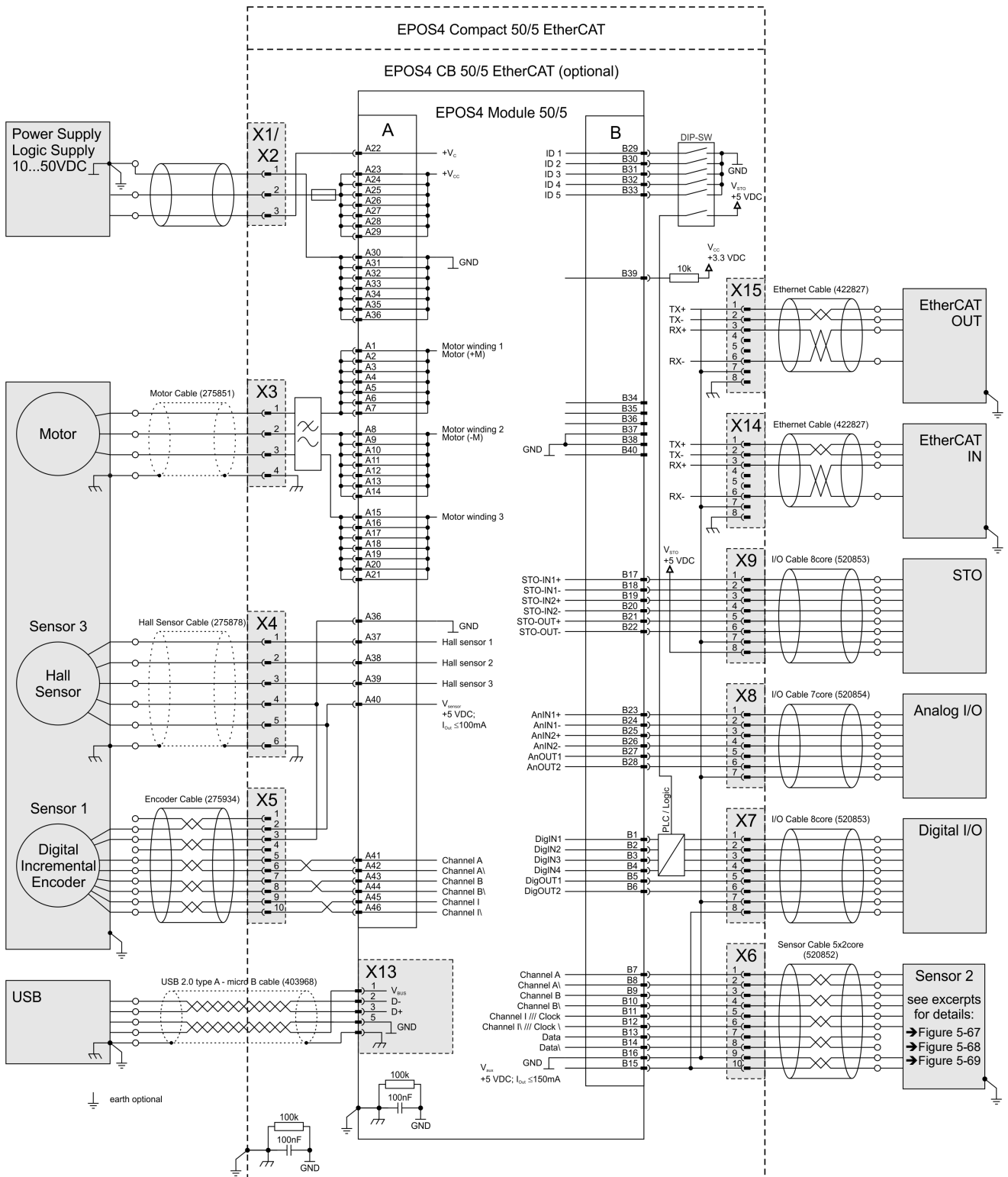


Figure 5-61 Main wiring diagram – Module & Compact EtherCAT

## 5.3 Excerpts

### 5.3.1 Power & Logic Supply

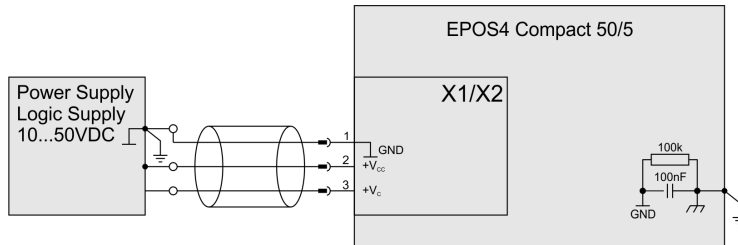


Figure 5-62 Power & logic supply

### 5.3.2 DC Motor

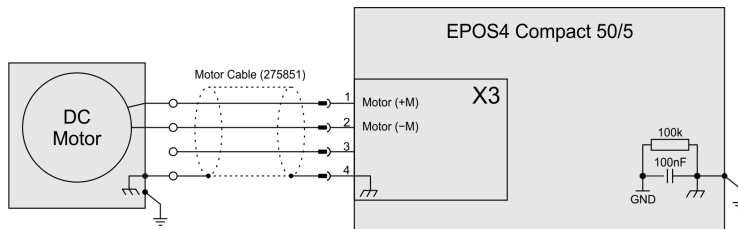


Figure 5-63 DC motor

### 5.3.3 EC (BLDC) Motor

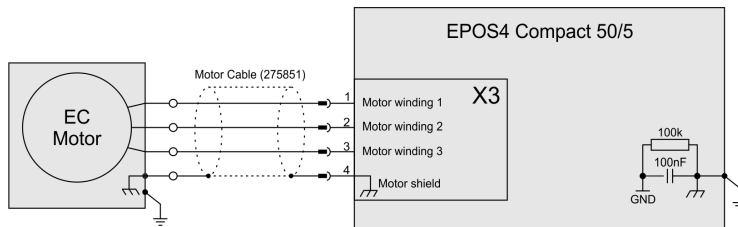


Figure 5-64 EC (BLDC) motor

### 5.3.4 Hall Sensors (Sensor 3)

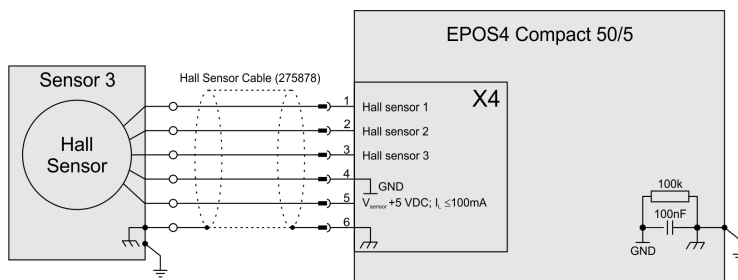


Figure 5-65 Hall sensors (Sensor 3)

5.3.5 Digital Incremental Encoder 1 (Sensor 1)

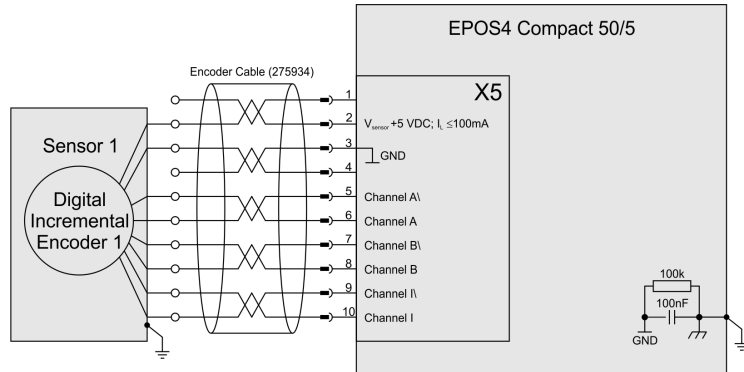


Figure 5-66 Digital incremental encoder 1 (Sensor 1)

5.3.6 Digital Incremental Encoder 2 (Sensor 2)

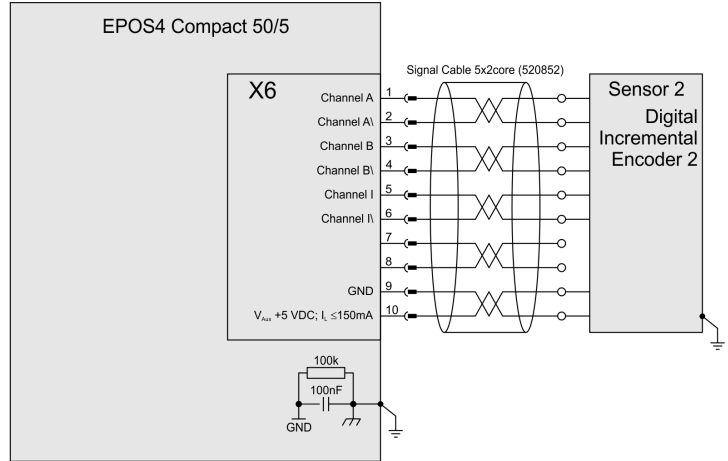


Figure 5-67 Digital incremental encoder 2 (Sensor 2)

5.3.7 Analog incremental encoder SinCos (Sensor 2)

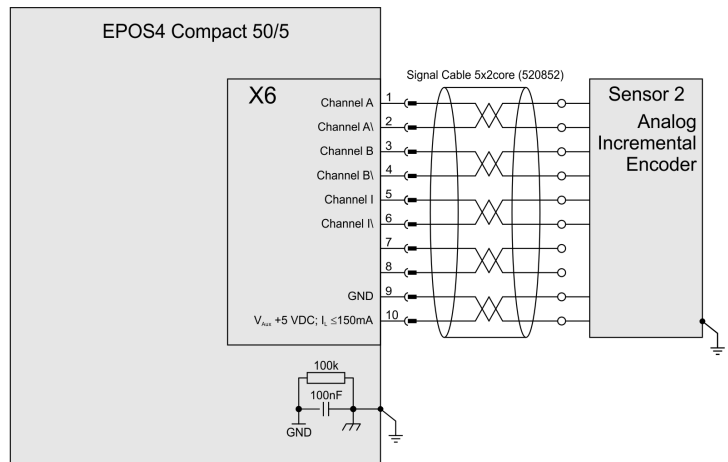


Figure 5-68 Analog incremental encoder (Sensor 2)

### 5.3.8 SSI Encoder (Sensor 2)

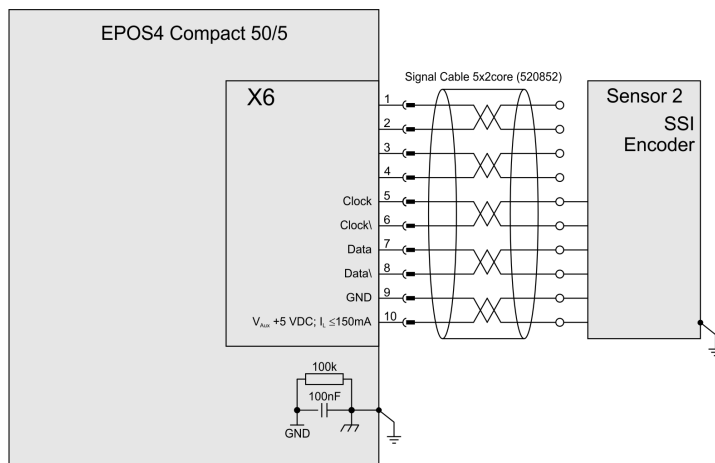


Figure 5-69 SSI encoder (Sensor 2)

## LIST OF FIGURES

Figure 1-1	Documentation structure . . . . .	5
Figure 1-2	Configuration overview . . . . .	8
Figure 2-3	Derating of output current . . . . .	14
Figure 2-4	Power dissipation and efficiency – EPOS4 Compact 50/5 CAN . . . . .	15
Figure 2-5	Power dissipation and efficiency – EPOS4 Compact 50/5 EtherCAT . . . . .	15
Figure 2-6	EPOS4 Module 50/5 – Dimensional drawing [mm] . . . . .	16
Figure 2-7	EPOS4 CB 50/5 CAN – Dimensional drawing [mm] . . . . .	17
Figure 2-8	EPOS4 Compact 50/5 CAN – Dimensional drawing [mm] . . . . .	17
Figure 2-9	EPOS4 CB 50/5 EtherCAT – Dimensional drawing [mm] . . . . .	18
Figure 2-10	EPOS4 Compact 50/5 EtherCAT – Dimensional drawing [mm] . . . . .	18
Figure 3-11	Pin assignment . . . . .	22
Figure 3-12	EPOS4 CB 50/5 CAN (left) / EPOS4 Compact 50/5 CAN (right) . . . . .	25
Figure 3-13	EPOS4 CB 50/5 EtherCAT (left) / EPOS4 Compact 50/5 EtherCAT (right) . . . . .	25
Figure 3-14	Connector Boards – Connectors . . . . .	28
Figure 3-15	Power & logic supply connector X1/X2 . . . . .	29
Figure 3-16	Motor connectors X3 . . . . .	30
Figure 3-17	Hall sensor connector X4 . . . . .	31
Figure 3-18	Encoder connector X5 . . . . .	32
Figure 3-19	Sensor connector X6 . . . . .	33
Figure 3-20	Digital I/O connector X7 . . . . .	34
Figure 3-21	Analog I/O connector X8 . . . . .	35
Figure 3-22	STO connector X9 . . . . .	36
Figure 3-23	RS232 connector X10 . . . . .	37
Figure 3-24	CAN 1 connector X11/CAN 2 connector X12 . . . . .	38
Figure 3-25	EtherCAT IN & EtherCAT OUT connectors X14 & X15 . . . . .	39
Figure 3-26	DIP switch SW1 . . . . .	41
Figure 3-27	Hall sensor 1 input circuit (analogously valid for Hall sensors 2 & 3) . . . . .	47
Figure 3-28	Encoder input circuit Ch A “differential” (analogously valid for Ch B & Ch I) . . . . .	49
Figure 3-29	Encoder input circuit Ch A “single-ended” (analogously valid for Ch B & Ch I) . . . . .	50
Figure 3-30	Digital incremental encoder input circuit Ch A “differential” (analogously valid for Ch B) . . . . .	52
Figure 3-31	Digital incremental encoder input circuit Ch I . . . . .	52
Figure 3-32	Digital incremental encoder input circuit Ch A “single-ended” (analogously valid for Ch B) . . . . .	53
Figure 3-33	Digital incremental encoder input circuit Ch I . . . . .	54
Figure 3-34	Analog incremental encoder input circuit Ch A “differential” (analogously valid for Ch B) . . . . .	55
Figure 3-35	Analog incremental encoder input circuit Ch I (digital evaluation) . . . . .	56
Figure 3-36	SSI absolute encoder data input . . . . .	57
Figure 3-37	SSI absolute encoder clock output . . . . .	58
Figure 3-38	HsDigIN1 circuit “differential” (analogously valid for HsDigIN2...4) . . . . .	59
Figure 3-39	HsDigIN1 circuit “single-ended” (analogously valid for HsDigIN2...4) . . . . .	60
Figure 3-40	HsDigOUT1 output circuit . . . . .	61
Figure 3-41	DigIN1 circuit (analogously valid for DigIN2...4) – Module . . . . .	62

Figure 3-42	DigIN1 circuit (analogously valid for DigIN2...4) – Compact / Logic level setting	63
Figure 3-43	DigIN1 circuit (analogously valid for DigIN2...4) – Compact / PLC level setting	64
Figure 3-44	DigOUT1 circuit (analogously valid for DigOUT2 and Compact)	64
Figure 3-45	DigOUT1 “sinks” (analogously valid for DigOUT2 and Compact)	65
Figure 3-46	DigOUT1 “source” (analogously valid for DigOUT2 and Compact)	65
Figure 3-47	STO-IN1 circuit (analogously valid for STO-IN2)	67
Figure 3-48	STO-OUT circuit	67
Figure 3-49	AnIN1 circuit (analogously valid for AnIN2)	68
Figure 3-50	AnOUT1 circuit (analogously valid for AnOUT2)	69
Figure 3-51	SCI circuit	70
Figure 3-52	USB connector X13	76
Figure 3-53	LEDs – Location	77
Figure 4-54	Wiring of power supply	80
Figure 4-55	Wiring of logic supply	81
Figure 4-56	Wiring of motor winding 1 (analogously valid also for motor windings 2 & 3)	83
Figure 4-57	Wiring of RS232 transceiver	83
Figure 4-58	SMT footprint [mm] – Top View	86
Figure 5-59	Interfaces – Designations and location	87
Figure 5-60	Main wiring diagram – Module & Compact CAN	90
Figure 5-61	Main wiring diagram – Module & Compact EtherCAT	91
Figure 5-62	Power & logic supply	92
Figure 5-63	DC motor	92
Figure 5-64	EC (BLDC) motor	92
Figure 5-65	Hall sensors (Sensor 3)	92
Figure 5-66	Digital incremental encoder 1 (Sensor 1)	93
Figure 5-67	Digital incremental encoder 2 (Sensor 2)	93
Figure 5-68	Analog incremental encoder (Sensor 2)	93
Figure 5-69	SSI encoder (Sensor 2)	94



## LIST OF TABLES

Table 1-1	Notation used . . . . .	6
Table 1-2	Symbols and signs . . . . .	6
Table 1-3	Brand names and trademark owners . . . . .	7
Table 1-4	Abbreviations. . . . .	9
Table 2-5	Technical data . . . . .	13
Table 2-6	Limitations . . . . .	15
Table 2-7	Standards . . . . .	19
Table 3-8	Pin assignment A1...A46 (X1...X5). . . . .	22
Table 3-9	Pin assignment B1...B46 (X6...X12). . . . .	24
Table 3-10	Prefab maxon cables. . . . .	26
Table 3-11	EPOS4 Connector Set – Content . . . . .	27
Table 3-12	Recommended tools . . . . .	27
Table 3-13	Power & logic supply connector X1/X2 – Pin assignment. . . . .	29
Table 3-14	Power & logic supply connector X1/X2 – Specification and accessories . . . . .	29
Table 3-15	Motor connector X3 – Pin assignment for maxon DC motor. . . . .	30
Table 3-16	Motor connector X3– Pin assignment for maxon EC motor . . . . .	30
Table 3-17	Motor Cable. . . . .	30
Table 3-18	Hall sensor connector X4 – Pin assignment . . . . .	31
Table 3-19	Hall Sensor Cable . . . . .	31
Table 3-20	Encoder connector X5 – Pin assignment . . . . .	32
Table 3-21	Encoder connector X5 – Accessories . . . . .	32
Table 3-22	Encoder Cable . . . . .	32
Table 3-23	Sensor connector X6 – Pin assignment . . . . .	33
Table 3-24	Sensor Cable 5x2core. . . . .	34
Table 3-25	Digital I/O connector X7 – Pin assignment . . . . .	34
Table 3-26	Signal Cable 8core . . . . .	34
Table 3-27	Analog I/O connector X8 – Pin assignment. . . . .	35
Table 3-28	Signal Cable 7core . . . . .	35
Table 3-29	STO connector X9 – Pin assignment . . . . .	36
Table 3-30	STO Idle Connector. . . . .	36
Table 3-31	RS232 connector X10 – Pin assignment. . . . .	37
Table 3-32	RS232-COM Cable . . . . .	37
Table 3-33	CAN 1 connector X11/CAN 2 connector X12 – Pin assignment . . . . .	38
Table 3-34	CAN-COM Cable. . . . .	38
Table 3-35	CAN-CAN Cable . . . . .	38
Table 3-36	EtherCAT IN & EtherCAT OUT connectors X14 & X15 – Pin assignment . . . . .	39
Table 3-37	Ethernet Cable . . . . .	40
Table 3-38	DIP switch SW1 – Binary code values . . . . .	41
Table 3-39	DIP switch SW1 – Examples. . . . .	42
Table 3-40	DIP switch SW1 – CAN automatic bit rate detection. . . . .	43
Table 3-41	DIP switch SW1 – CAN bus termination . . . . .	43

Table 3-42	DIP switch SW1 – Digital input level . . . . .	43
Table 3-43	Spare parts list . . . . .	43
Table 3-44	Power supply – Pin assignment . . . . .	44
Table 3-45	Power supply requirements . . . . .	44
Table 3-46	Logic supply – Pin assignment . . . . .	45
Table 3-47	Logic supply requirements . . . . .	45
Table 3-48	DC motor – Pin assignment . . . . .	46
Table 3-49	EC motor – Pin assignment . . . . .	46
Table 3-50	Hall sensor – Pin assignment . . . . .	47
Table 3-51	Hall sensor specification . . . . .	47
Table 3-52	Encoder – Pin assignment . . . . .	48
Table 3-53	Differential encoder specification . . . . .	49
Table 3-54	Single-ended encoder specification . . . . .	50
Table 3-55	Incremental encoder – Pin assignment . . . . .	51
Table 3-56	Differential digital incremental encoder specification . . . . .	51
Table 3-57	Single-ended digital incremental encoder specification . . . . .	53
Table 3-58	Differential analog incremental encoder specification . . . . .	55
Table 3-59	SSI absolute encoder – Pin assignment . . . . .	57
Table 3-60	SSI absolute encoder specification . . . . .	57
Table 3-61	High-speed digital I/Os – Pin assignment . . . . .	59
Table 3-62	Differential high-speed digital input specification . . . . .	59
Table 3-63	Single-ended high-speed digital input specification . . . . .	60
Table 3-64	High-speed digital output specification . . . . .	61
Table 3-65	Digital I/Os – Pin assignment – Module . . . . .	62
Table 3-66	Digital input specification . . . . .	62
Table 3-67	Digital I/Os – Pin assignment – Compact . . . . .	63
Table 3-68	Digital input specification – Logic level setting . . . . .	63
Table 3-69	Digital input specification – PLC level setting . . . . .	64
Table 3-70	Digital output specification . . . . .	64
Table 3-71	Digital output – Sinks . . . . .	65
Table 3-72	Digital output – Source . . . . .	65
Table 3-73	STO I/Os – Pin assignment . . . . .	66
Table 3-74	STO input specification . . . . .	66
Table 3-75	STO output specification . . . . .	67
Table 3-76	STO logic state . . . . .	67
Table 3-77	Analog I/Os – Pin assignment . . . . .	68
Table 3-78	Analog input specification . . . . .	68
Table 3-79	Analog output specification . . . . .	69
Table 3-80	SCI – Pin assignment . . . . .	70
Table 3-81	SCI specification . . . . .	70
Table 3-82	RS232 – Pin assignment . . . . .	71
Table 3-83	RS232 interface specification . . . . .	71
Table 3-84	CAN bus line / CAN 1 / CAN 2 – Pin assignment . . . . .	72
Table 3-85	CAN interface specification . . . . .	72

Table 3-86	ID – Pin assignment . . . . .	73
Table 3-87	CAN ID / DEV ID specification . . . . .	73
Table 3-88	ID – Examples . . . . .	74
Table 3-89	Bit rate detection specification. . . . .	74
Table 3-90	SPI – Pin assignment . . . . .	75
Table 3-91	USB connector X13 – Pin assignment . . . . .	76
Table 3-92	USB Type A - micro B Cable. . . . .	76
Table 3-93	USB interface specification . . . . .	76
Table 3-94	NET Status LEDs . . . . .	77
Table 3-95	Device Status LEDs . . . . .	78
Table 3-96	EtherCAT Port LED. . . . .	78
Table 4-97	Motherboard Design Guide – Recommended components . . . . .	84
Table 4-98	Motherboard Design Guide – Grounding . . . . .	85
Table 5-99	Possible combinations of feedback signals for DC motor . . . . .	88
Table 5-100	Possible combinations of feedback signals for EC (BLDC) motor . . . . .	89

••page intentionally left blank••

## INDEX

### A

abbreviations used 9  
alerts 6  
analog incremental encoder (differential) 55  
analog inputs 68  
analog outputs 69  
applicable EU directive 21  
applicable regulations 10

### B

BiSS encoder, wiring 94  
bit rate detection 43, 74  
bit rate, default 72  
BLDC motor, connection 22, 46

### C

C1 (capacitor) 80  
C2 (capacitor) 81  
cables (prefab)  
    CAN-CAN Cable 38  
    CAN-COM Cable 38  
    Encoder Cable 32  
    Ethernet Cable 40  
    Hall Sensor Cable 31  
    Motor Cable 30  
    RS232-COM Cable 37  
    Sensor Cable 5x2core 34  
    Signal Cable 7core 35  
    Signal Cable 8core 34  
    STO Idle Connector 36  
    USB Type A - micro B Cable 76  
CAN bus termination 43, 72  
CAN ID (see "ID")  
CAN interface 72  
choke, motor 82  
connectors  
    X1/X2 29  
    X3 30  
    X4 31  
    X5 32  
    X6 33  
    X7 34  
    X8 35  
    X9 36  
    X10 37  
    X11 38  
    X12 38  
    X13 76  
    X14 39  
    X15 39  
country-specific regulations 10

### D

D1 (DVS diode) 80  
D2 (DVS diode) 81  
DC motor, connection 22, 46  
DEV ID (see "ID")  
device condition, display of 77  
digital high-speed inputs (differential) 59  
digital high-speed inputs (single-ended) 60  
digital high-speed output 61  
digital incremental encoder (differential) 51  
digital incremental encoder (single-ended) 53  
digital inputs 62  
digital outputs 64  
DIP switch SW1 41

### E

EC motor, connection 22, 46  
encoders  
    absolute 57  
    differential 49  
    incremental 51  
    serial 57  
    SinCos 55  
    single-ended 50  
EnDat encoder, wiring 94  
EPOS4 Connector Set 27  
ESD 10  
EU directive, applicable 21

### F

FU1 (input fuse) 80

### H

Hall sensor 47  
how to  
    calculate the required supply voltage 44  
    get help in designing the motherboard 79  
    interpret icons (and signs) used in this document 6

**I**

ID (of the device) 41  
 incorporation into surrounding system 21  
 incremental encoder 51  
 informatory signs 6  
 inputs  
   analog 68  
   digital 62  
   high-speed digital 59  
   STO 66  
 interfaces  
   CAN 38, 72  
   EtherCAT 39  
   location and designation 87  
   RS232 37, 70  
   SCI 70  
   SPI 75  
   USB 76  
 internal motor chokes 82

**L**

LEDs, interpretation of 77  
 logic supply 45

**M**

mandatory action signs 6  
 motor choke 82  
 motor types, supported 8

**N**

naming of components 9  
 node address (see "ID")  
 Node-ID (see "ID")  
 notations used 6

**O**

operating license 21  
 outputs  
   analog 69  
   digital 64  
   high-speed digital 61  
   STO 67

**P**

part numbers  
   275851 30  
   275878 31  
   275934 32  
   403968 76  
   422827 40  
   520852 34  
   520853 34  
   520854 35  
   520856 37  
   520857 38  
   520858 38  
   520859 27  
   520860 36  
   534130 11  
   534133 25  
   541718 11, 25  
   590736 29  
   590738 84  
   620044 25  
   628094 11, 25  
 performance data 11  
 pin assignment 22  
 power supply 44  
 precautions 10  
 prerequisites prior installation 21  
 prohibitive signs 6  
 protective measures (ESD) 10  
 purpose  
   of the device 8  
   of the document 5

**R**

regulations, applicable 10  
 RS232 transceiver 83

**S**

Safe Torque Off (STO) 66  
 safety alerts 6  
 safety first! 10  
 SCI (Serial Communication Interface) 70  
 Serial Communication Interface (SCI) 70  
 serial encoder 57  
 signs used 6  
 SPI (Serial Peripheral Interface) 75  
 SSI absolute encoder 57  
 SSI encoder  
   wiring 94  
 standards, fulfilled 19  
 status LEDs 77  
 STO (Safe Torque Off) 66  
 supply voltage, required 44  
 SW1 41  
 symbols used 6

## T

technical data 11  
termination (CAN bus) 43, 72

## U

USB port 76

## W

wiring examples  
  additional inductance on Motherboard 82  
  analog incremental encoder 93  
  DC motor 92  
  digital & digital incremental encoder 93  
  digital incremental encoder 93  
  DigOUT 65  
  EC (BLDC) motor 92  
  Hall sensors 92  
  power & logic supply 92  
  SSI encoder 94



EtherCAT® is a registered trademark and patented technology, licensed by Beckhoff Automation GmbH, Germany

This document is protected by copyright. Any further use (including reproduction, translation, microfilming, and other means of electronic data processing) without prior written approval is not permitted. The mentioned trademarks belong to their respective owners and are protected under intellectual property rights.

© 2020 maxon. All rights reserved. Subject to change without prior notice.

CCMC | EPOS4 Module/Compact 50/5 Hardware Reference | Edition 2020-04 | DocID rel9443

maxon motor ag  
Brünigstrasse 220  
CH-6072 Sachseln

+41 41 666 15 00  
[www.maxongroup.com](http://www.maxongroup.com)